



Centrifugal Fan  
**UF190APA-F Series**

Frame/Housing: Aluminum die-casting

Impeller: Plastic or steel

Bearing System: Ball bearing

Motor: Shaded pole or capacitor start-run

Protection: Impedance-Protected or Thermally-Protected or Electronically-Protected

Insulation Resistance: Above 100MΩ, DC500V.

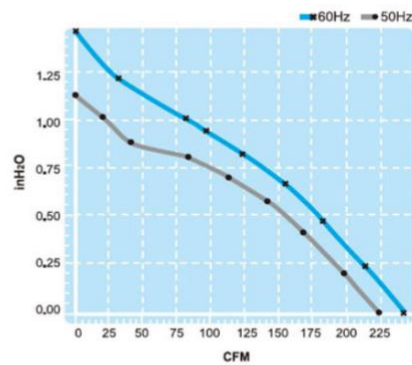
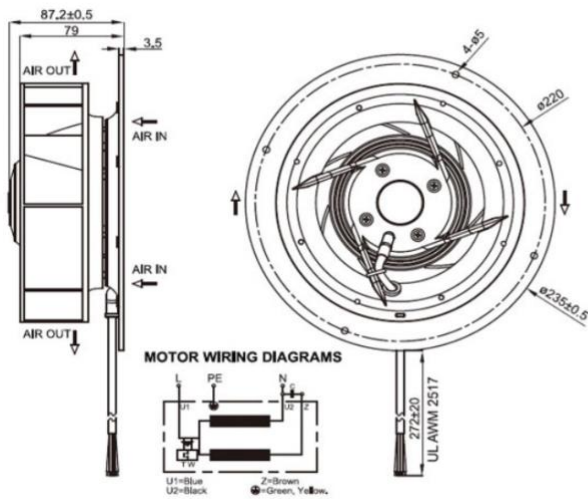
Dielectric withstand voltage AC 1,500V (50/60Hz) one minute

Life Expectancy: Ball bearing: Over 40,000 hr. (at 40°C)

Safety Approval: CUL, CE, TUV, either UL or ETL.

Description of Model No.	UF	220	A	P	A	11	H1	C	2	A
	1	2	3	4	5	6	7	8	9	10

	UF190APA11H1C2F	UF190APA23H1C2F
Rated Voltage	115 V	230 V
Frequency	50/60 Hz	50/60 Hz
Input Power	55/65 W	57/72 W
Rated Current	0.45/0.54 A	0.23/0.3 A
Locked Current	0.92/0.91 A	0.43/0.45 A
Speed	2500/2700 RPM	2500/2700 RPM
Maximum Air Flow	6.5/7 m <sup>3</sup> /min.	6.5/7 m <sup>3</sup> /min.
Maximum Air Flow	230/247 CFM	230/247 CFM
Maximum Pressure	29/38 mmH2O	29/38 mmH2O
Maximum Pressure	1.1/1.5 InchH2O	1.1/1.5 InchH2O
Noise	60/63 dB	60/63 dB
Weights	1.5 kg	1.5 kg



SAFETY APPROVAL

