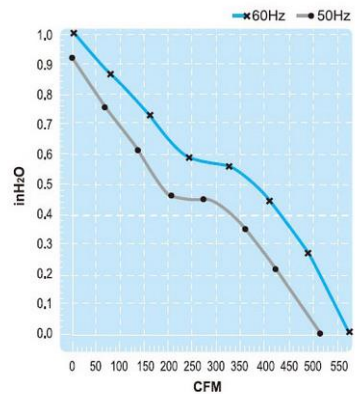
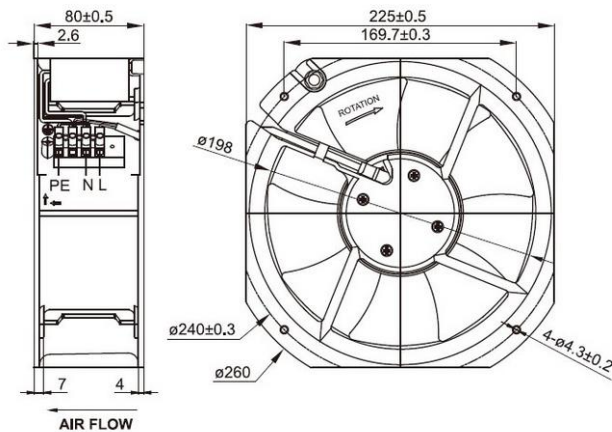




External Rotor Axial Fan **UF200BMA Series**

Frame/Housing:	Aluminum die-casting
Impeller:	Plastic or steel
Bearing System:	Ball bearing
Motor:	Shaded pole or capacitor start-run
Protection:	Impedance-Protected or Thermally-Protected or Electronically-Protected
Insulation Resistance:	Above 100MΩ, DC500V.
Dielectric withstand voltage	AC 1,500V (50/60Hz) one minute
Life Expectancy:	Ball bearing: Over 40,000 hr. (at 40°C)
Safety Approval:	CUL, CE, TUV, either UL or ETL.
Description of Model No.	UF 220 A P A 11 H1 C 2 A
	1 2 3 4 5 6 7 8 9 10

	UF200BMA11H2C2A	UF200BMA23H2C2A
Rated Voltage	115 V	230 V
Frequency	50/60 Hz	50/60 Hz
Input Power	73/75 W	72/77 W
Rated Current	0.75/0.66 A	0.38/0.34 A
Locked Current	1.3/1.4 A	0.62/0.63 A
Speed	2700/3100 RPM	2700/3100 RPM
Maximum Air Flow	14.7/16.5 m ³ /min.	14.7/16.5 m ³ /min.
Maximum Air Flow	520/580 CFM	520/580 CFM
Maximum Pressure	23.3/25.4 mmH ₂ O	23.3/25.4 mmH ₂ O
Maximum Pressure	0.92/1 InchH ₂ O	0.92/1 InchH ₂ O
Noise	65/68 dB	65/68 dB
Weights	2.4 kg	2.4 kg



SAFETY APPROVAL

