



External Rotor Axial Fan **UF250BMA Series**

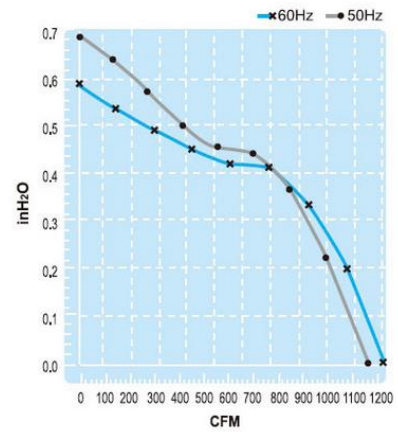
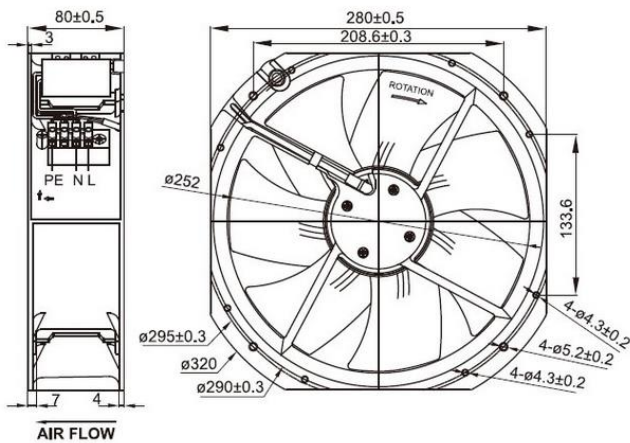
Frame/Housing:	Aluminum die-casting
Impeller:	Plastic or steel
Bearing System:	Ball bearing
Motor:	Shaded pole or capacitor start-run
Protection:	Impedance-Protected or Thermally-Protected or Electronically-Protected
Insulation Resistance:	Above 100MΩ, DC500V.
Dielectric withstand voltage	AC 1,500V (50/60Hz) one minute
Life Expectancy:	Ball bearing: Over 40,000 hr. (at 40°C)
Safety Approval:	CUL, CE, TUV, either UL or ETL.

Description of Model No.	UF	220	A	P	A	11	H1	C	2	A
	1	2	3	4	5	6	7	8	9	10

UF250BMA11H1C2A

UF250BMA23H1C2A

Rated Voltage	115 V	230 V
Frequency	50/60 Hz	50/60 Hz
Input Power	120/157 W	119/158 W
Rated Current	1.5/1.2 A	0.52/0.71 A
Locked Current	1.9/1.9 A	0.83/0.87 A
Speed	2400/2600 RPM	2400/2600 RPM
Maximum Air Flow	29.8/31.2 m ³ /min.	29.8/31.2 m ³ /min.
Maximum Air Flow	1050/1100 CFM	1050/1100 CFM
Maximum Pressure	17.8/15 mmH ₂ O	17.8/15 mmH ₂ O
Maximum Pressure	0.7/0.59 InchH ₂ O	0.7/0.59 InchH ₂ O
Noise	70/71 dB	70/71 dB
Weights	2.8 kg	2.8 kg



SAFETY APPROVAL

