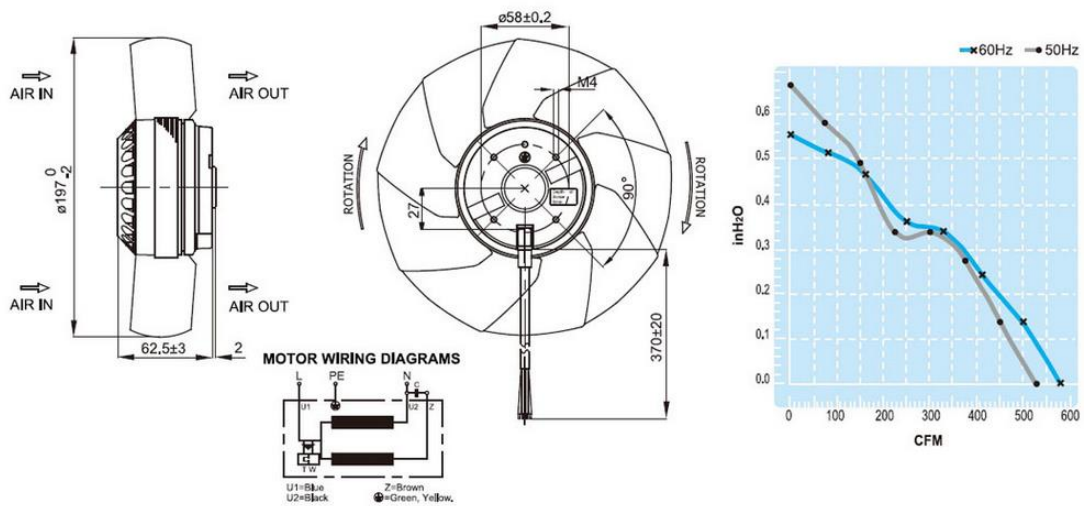




External Rotor Axial Fan **UF200BMB-E Series**

Frame/Housing:	Aluminum die-casting
Impeller:	Plastic or steel
Bearing System:	Ball bearing
Motor:	Shaded pole or capacitor start-run
Protection:	Impedance-Protected or Thermally-Protected or Electronically-Protected
Insulation Resistance:	Above 100MΩ, DC500V.
Dielectric withstand voltage	AC 1,500V (50/60Hz) one minute
Life Expectancy:	Ball bearing: Over 40,000 hr. (at 40°C)
Safety Approval:	CUL, CE, TUV, either UL or ETL.
Description of Model No.	UF 220 A P A 11 H1 C 2 A
	1 2 3 4 5 6 7 8 9 10

	UF200BMB11H1C2E	UF200BMB23H1C2E
Rated Voltage	115 V	230 V
Frequency	50/60 Hz	50/60 Hz
Input Power	65/72 W	74/80 W
Rated Current	0.58/0.7 A	0.29/0.35 A
Locked Current	0.99/0.99 A	0.5/0.5 A
Speed	2550/2800 RPM	2550/2800 RPM
Maximum Air Flow	15/17 m ³ /min.	15/17 m ³ /min.
Maximum Air Flow	530/600 CFM	530/600 CFM
Maximum Pressure	17/14 mmH2O	17/14 mmH2O
Maximum Pressure	0.67/0.55 InchH2O	0.67/0.55 InchH2O
Noise	59/61 dB	59/61 dB
Weights	1.4 kg	1.4 kg



SAFETY APPROVAL

