

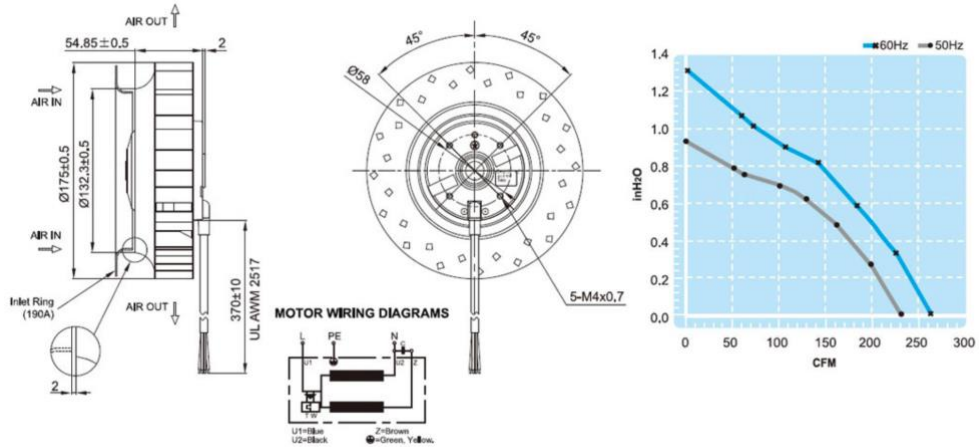


Centrifugal Fan

UF175AMA Series

Frame/Housing:	Aluminum die-casting
Impeller:	Plastic or steel
Bearing System:	Ball bearing
Motor:	Shaded pole or capacitor start-run
Protection:	Impedance-Protected or Thermally-Protected or Electronically-Protected
Insulation Resistance:	Above 100MΩ, DC500V.
Dielectric withstand voltage	AC 1,500V (50/60Hz) one minute
Life Expectancy:	Ball bearing: Over 40,000 hr. (at 40°C)
Safety Approval:	CUL, CE, TUV, either UL or ETL.
Description of Model No.	UF 220 A P A 11 H1 C 2 A
	1 2 3 4 5 6 7 8 9 10

	UF175AMA11H1C2A	UF175AMA23H1C2A
Rated Voltage	115 V	230 V
Frequency	50/60 Hz	50/60 Hz
Input Power	60/66 W	60/66 W
Rated Current	0.48/0.51 A	0.24/0.26 A
Locked Current	0.76/0.78 A	0.37/0.38 A
Speed	2550/2900 RPM	2550/2900 RPM
Maximum Air Flow	7.2/8 m3/min.	7.2/8 m3/min.
Maximum Air Flow	244/274 CFM	244/274 CFM
Maximum Pressure	23/33 mmH2O	23/33 mmH2O
Maximum Pressure	0.9/1.3 InchH2O	0.9/1.3 InchH2O
Noise	66/70 dB	66/70 dB
Weights	1.3 kg	1.3 kg



SAFETY APPROVAL

