

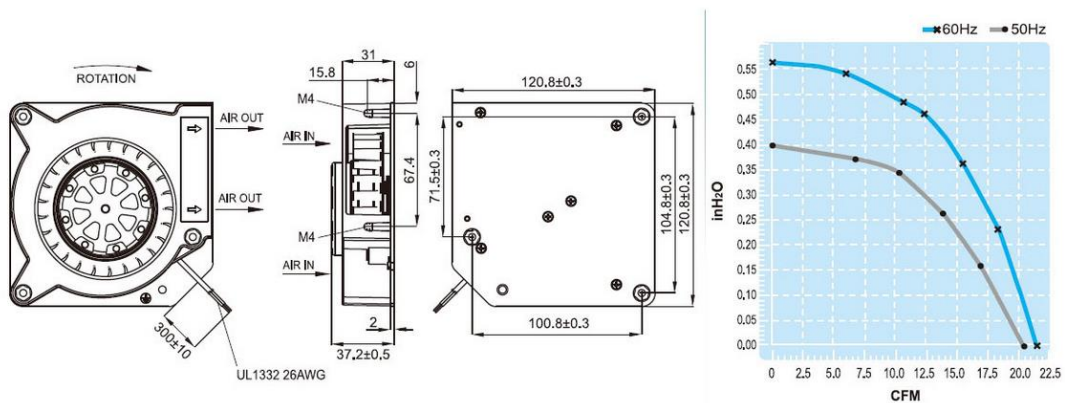


## Blower Fan **UF90DPB Series**

Frame/Housing:	Aluminum die-casting
Impeller:	Plastic or steel
Bearing System:	Ball bearing
Motor:	Shaded pole or capacitor start-run
Protection:	Impedance-Protected or Thermally-Protected or Electronically-Protected
Insulation Resistance:	Above 100MΩ, DC500V.
Dielectric withstand voltage	AC 1,500V (50/60Hz) one minute
Life Expectancy:	Ball bearing: Over 40,000 hr. (at 40°C)
Safety Approval:	CUL, CE, TUV, either UL or ETL.

Description of Model No.	<b>UF</b>	<b>220</b>	<b>A</b>	<b>P</b>	<b>A</b>	<b>11</b>	<b>H1</b>	<b>C</b>	<b>2</b>	<b>A</b>
	1	2	3	4	5	6	7	8	9	10

	UF90DPB11H1S2A	UF90DPB23H1S2A
Rated Voltage	115 V	230 V
Frequency	50/60 Hz	50/60 Hz
Input Power	19/18 W	19/18 W
Rated Current	0.23/0.21 A	0.11/0.1 A
Locked Current	0.3/0.26 A	0.14/0.12 A
Speed	2500/2700 RPM	2500/2700 RPM
Maximum Air Flow	0.58/0.6 m <sup>3</sup> /min.	0.58/0.6 m <sup>3</sup> /min.
Maximum Air Flow	20/21 CFM	20/21 CFM
Maximum Pressure	10/13 mmH2O	10/13 mmH2O
Maximum Pressure	0.4/0.5 InchH2O	0.4/0.5 InchH2O
Noise	49/51 dB	49/51 dB
Weights	0.66 kg	0.66 kg



SAFETY APPROVAL

