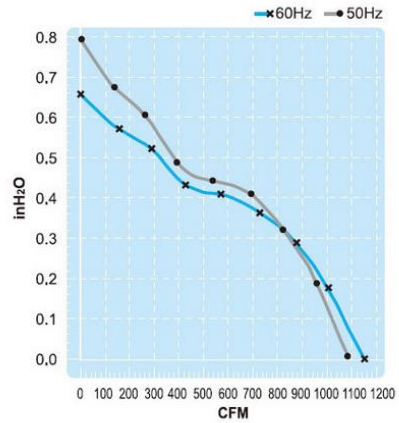
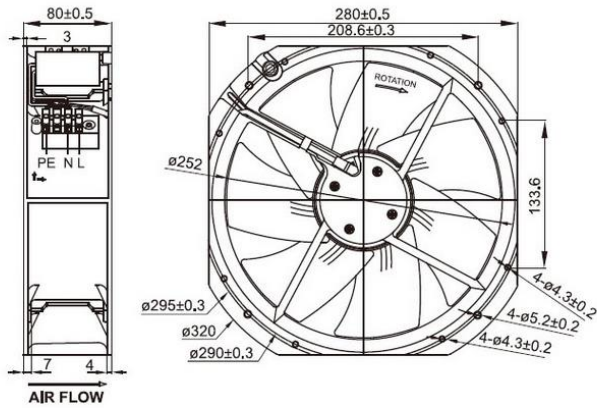




External Rotor Axial Fan **UF250BMB Series**

Frame/Housing:	Aluminum die-casting
Impeller:	Plastic or steel
Bearing System:	Ball bearing
Motor:	Shaded pole or capacitor start-run
Protection:	Impedance-Protected or Thermally-Protected or Electronically-Protected
Insulation Resistance:	Above 100MΩ, DC500V.
Dielectric withstand voltage	AC 1,500V (50/60Hz) one minute
Life Expectancy:	Ball bearing: Over 40,000 hr. (at 40°C)
Safety Approval:	CUL, CE, TUV, either UL or ETL.
Description of Model No.	UF 220 A P A 11 H1 C 2 A
	1 2 3 4 5 6 7 8 9 10

	UF250BMB11H1C2A	UF250BMB23H1C2A
Rated Voltage	115 V	230 V
Frequency	50/60 Hz	50/60 Hz
Input Power	112/148 W	119/158 W
Rated Current	1/1.5 A	0.59/0.82 A
Locked Current	1.9/1.9 A	0.91/0.91 A
Speed	2550/2700 RPM	2550/2700 RPM
Maximum Air Flow	31/32 m ³ /min.	31/32 m ³ /min.
Maximum Air Flow	1090/1130 CFM	1090/1130 CFM
Maximum Pressure	20/16.5 mmH ₂ O	20/16.5 mmH ₂ O
Maximum Pressure	0.78/0.65 InchH ₂ O	0.78/0.65 InchH ₂ O
Noise	68/70 dB	68/70 dB
Weights	2.8 kg	2.8 kg



SAFETY APPROVAL



