



Centrifugal Fan

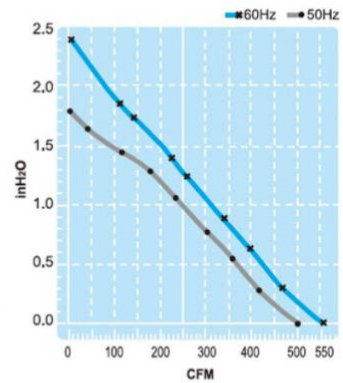
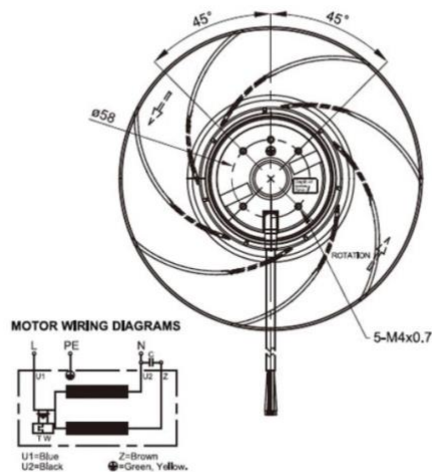
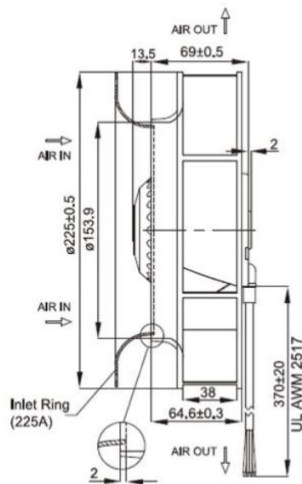
UF225(69)APA Series

Frame/Housing:	Aluminum die-casting
Impeller:	Plastic or steel
Bearing System:	Ball bearing
Motor:	Shaded pole or capacitor start-run
Protection:	Impedance-Protected or Thermally-Protected or Electronically-Protected
Insulation Resistance:	Above 100MΩ, DC500V.
Dielectric withstand voltage	AC 1,500V (50/60Hz) one minute
Life Expectancy:	Ball bearing: Over 40,000 hr. (at 40°C)
Safety Approval:	CUL, CE, TUV, either UL or ETL.
Description of Model No.	UF 220 A P A 11 H1 C 2 A
	1 2 3 4 5 6 7 8 9 10

UF225(69)APA11H1C2A

UF225(69)APA23H1C2A

Rated Voltage	115 V	230 V
Frequency	50/60 Hz	50/60 Hz
Input Power	105/125 W	105/125 W
Rated Current	1.11/1.12 A	0.54/0.56 A
Locked Current	2.22/2.3 A	1.14/1.15 A
Speed	2650/2950 RPM	2650/2950 RPM
Maximum Air Flow	14.2/15.6 m ³ /min.	14.2/15.6 m ³ /min.
Maximum Air Flow	500/550 CFM	500/550 CFM
Maximum Pressure	46/58 mmH2O	46/58 mmH2O
Maximum Pressure	1.8/2.3 InchH2O	1.8/2.3 InchH2O
Noise	70/72 dB	70/72 dB
Weights	2.3 kg	2.3 kg



SAFETY APPROVAL

