

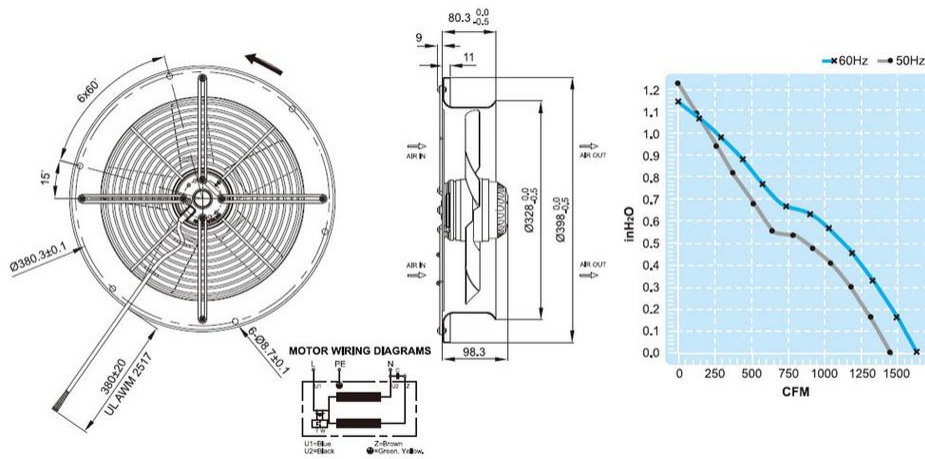


External Rotor Axial Fan **UF300BNA Series**

Frame/Housing:	Aluminum die-casting
Impeller:	Plastic or steel
Bearing System:	Ball bearing
Motor:	Shaded pole or capacitor start-run
Protection:	Impedance-Protected or Thermally-Protected or Electronically-Protected
Insulation Resistance:	Above 100MΩ, DC500V.
Dielectric withstand voltage	AC 1,500V (50/60Hz) one minute
Life Expectancy:	Ball bearing: Over 40,000 hr. (at 40°C)
Safety Approval:	CUL, CE, TUV, either UL or ETL.

Description of Model No.	UF	220	A	P	A	11	H1	C	2	A
	1	2	3	4	5	6	7	8	9	10

	UF300BNA11H1C2A	UF300BNA23H1C2A
Rated Voltage	115 V	230 V
Frequency	50/60 Hz	50/60 Hz
Input Power	150/200 W	150/200 W
Rated Current	1.6/2.4 A	0.9/1.2 A
Locked Current	3.15/3.1 A	1.6/1.56 A
Speed	2650/2950 RPM	2650/2950 RPM
Maximum Air Flow	40.6/45.7 m ³ /min.	40.6/45.7 m ³ /min.
Maximum Air Flow	1435/1615 CFM	1435/1615 CFM
Maximum Pressure	31/29 mmH2O	31/29 mmH2O
Maximum Pressure	1.2/1.1 InchH2O	1.2/1.1 InchH2O
Noise	75/78 dB	75/78 dB
Weights	4.5 kg	4.5 kg



SAFETY APPROVAL

