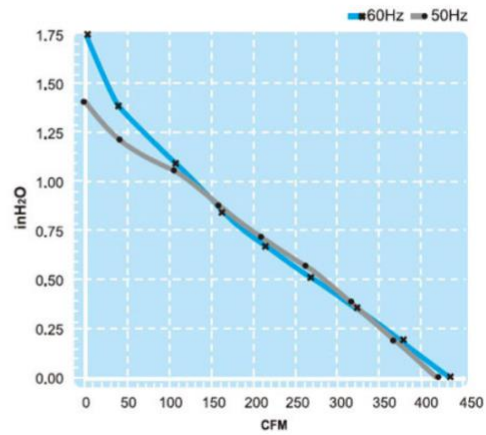
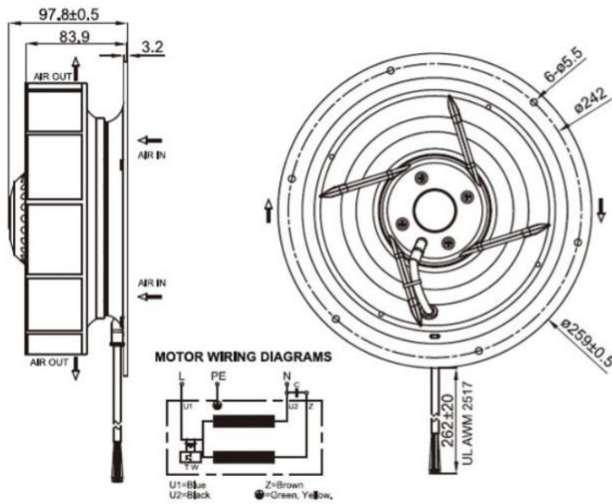




Centrifugal Fan
UF220APA-F Series

Frame/Housing:	Aluminum die-casting
Impeller:	Plastic or steel
Bearing System:	Ball bearing
Motor:	Shaded pole or capacitor start-run
Protection:	Impedance-Protected or Thermally-Protected or Electronically-Protected
Insulation Resistance:	Above 100MΩ, DC500V.
Dielectric withstand voltage	AC 1,500V (50/60Hz) one minute
Life Expectancy:	Ball bearing: Over 40,000 hr. (at 40°C)
Safety Approval:	CUL, CE, TUV, either UL or ETL.
Description of Model No.	UF 220 A P A 11 H1 C 2 A
	1 2 3 4 5 6 7 8 9 10

	UF220APA11H2C2F	UF220APA23H2C2F
Rated Voltage	115 V	230 V
Frequency	50/60 Hz	50/60 Hz
Input Power	90/117 W	90/117 W
Rated Current	0.63/0.8 A	0.35/0.39 A
Locked Current	0.88/0.93 A	0.47/0.49 A
Speed	2500/2650 RPM	2500/2650 RPM
Maximum Air Flow	12/12.3 m ³ /min.	12/12.3 m ³ /min.
Maximum Air Flow	424/434 CFM	424/434 CFM
Maximum Pressure	36/45 mmH2O	36/45 mmH2O
Maximum Pressure	1.4/1.8 InchH2O	1.4/1.8 InchH2O
Noise	64/65 dB	64/65 dB
Weights	1.9 kg	1.9 kg



SAFETY APPROVAL

