

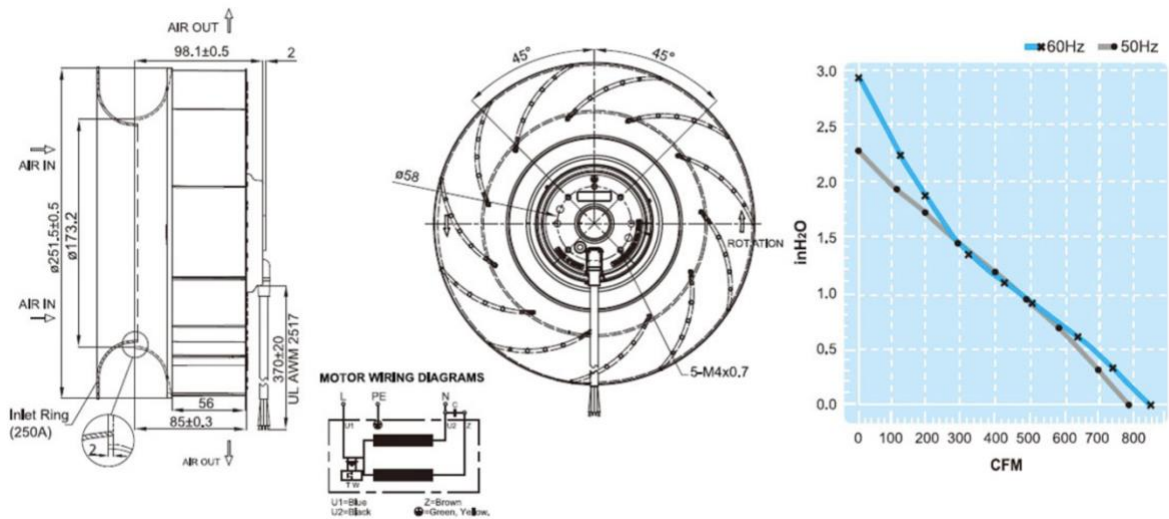


Centrifugal Fan

UF250APA Series

Frame/Housing:	Aluminum die-casting
Impeller:	Plastic or steel
Bearing System:	Ball bearing
Motor:	Shaded pole or capacitor start-run
Protection:	Impedance-Protected or Thermally-Protected or Electronically-Protected
Insulation Resistance:	Above 100MΩ, DC500V.
Dielectric withstand voltage	AC 1,500V (50/60Hz) one minute
Life Expectancy:	Ball bearing: Over 40,000 hr. (at 40°C)
Safety Approval:	CUL, CE, TUV, either UL or ETL.
Description of Model No.	UF 220 A P A 11 H1 C 2 A
	1 2 3 4 5 6 7 8 9 10

	UF250APA11H1C2A	UF250APA23H1C2A
Rated Voltage	115 V	230 V
Frequency	50/60 Hz	50/60 Hz
Input Power	170/240 W	170/240 W
Rated Current	1.5/2.1 A	0.77/1 A
Locked Current	3.1/3 A	1.57/1.52 A
Speed	2600/2700 RPM	2600/2700 RPM
Maximum Air Flow	22/24 m ³ /min.	22/24 m ³ /min.
Maximum Air Flow	770/850 CFM	770/850 CFM
Maximum Pressure	56/74 mmH2O	56/74 mmH2O
Maximum Pressure	2.2/2.9 InchH2O	2.2/2.9 InchH2O
Noise	75/76 dB	75/76 dB
Weights	3.1 kg	3.1 kg



SAFETY APPROVAL

