

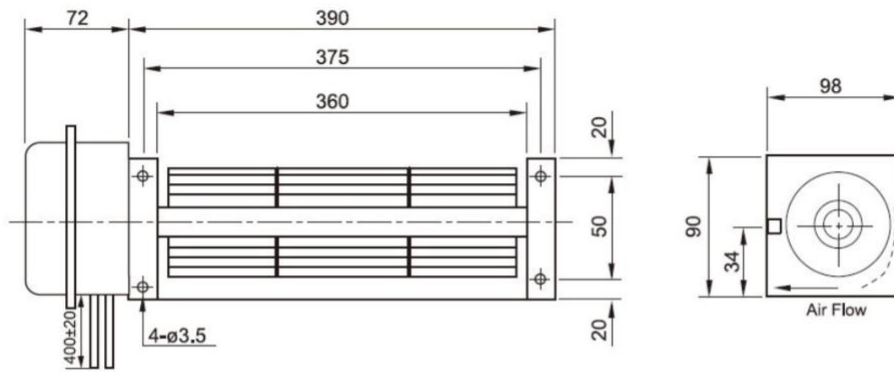


Cross Flow Fan
UF6036 Series

Frame:	Steel with black painting
Impeller:	Plastic & Aluminum
Bearing System:	Ball bearing or sleeve bearing
Motor:	Capacitor start-run or Shaded pole
Protection:	Impedance-Protected or Thermally-Protected
Insulation Resistance:	Above 100MΩ,DC 500V.
Dielectric Withstand Voltage	AC1, 500V (50/60Hz) one minute
Safety Approval:	CE, TUV. (UF9029 has UL, CUL approval)

Description of Model No.	UF	12	A	(R)	11	B	T	H	N
	1	2	3	4	5	6	7	8	9

	UF6036CBA12HL	UF6036CBA23HL
Rated Voltage	120 V	230 V
Frequency	50/60 Hz	50/60 Hz
Input Power	35/37 W	35/37 W
Rated Current	0.33/0.33 A	0.17/0.17 A
Locked Current	0.46/0.46 A	0.22/0.22 A
Speed	2500/2800 RPM	2500/2800 RPM
Maximum Air Flow	5.5/6 m ³ /min.	5.5/6 m ³ /min.
Maximum Air Flow	195/212 CFM	195/212 CFM
Maximum Pressure	5/7.5 mmH2O	5/7.5 mmH2O
Maximum Pressure	0.2/0.3 InchH2O	0.2/0.3 InchH2O
Noise	50/53 dB	50/53 dB
Weights	2.1 kg	2.1 kg



SAFETY APPROVAL

CE

