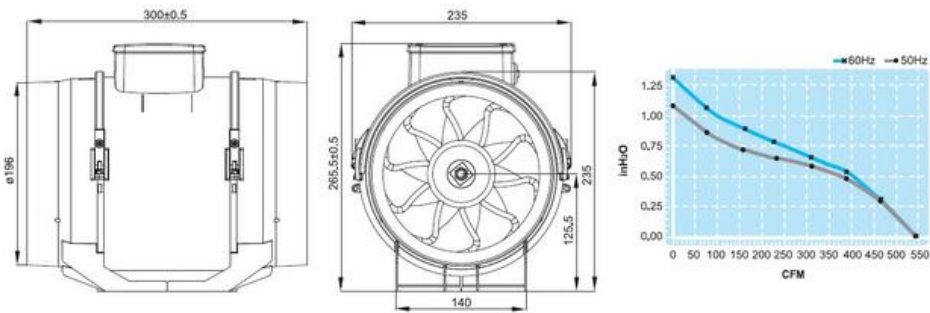




Duct Fan **DF200P**

Frame/Housing:	Plastic
Impeller:	Plastic
Bearing System:	Ball bearing
Motor:	Capacitor run motor
Connection:	Lead wire or terminal type
Protection:	Thermally-Protected
Insulation Resistance:	Above 100MΩ,DC 500V.
Life Expectancy:	Over 40,000 hrs.(at 40°C)
Safety Approval:	CE
Description of Model No.	DF 150 P 23 B W H/L
	1 2 3 4 5 6 7

	DF200P23-H	DF200P23-L
Rated Voltage	230 V	230 V
Frequency	50 Hz	50 Hz
Input Power	150 W	125 W
Rated Current	0.63 A	0.54 A
Locked Current	0.95 A	0.65 A
Speed	2100 RPM	170 RPM
Maximum Air Flow	15.6 m ³ /min.	12.5 m ³ /min.
Maximum Air Flow	550 CFM	440 CFM
Maximum Pressure	29 mmH2O	26 mmH2O
Maximum Pressure	1.14 InchH2O	1.02 InchH2O
Noise	59 dB	53 dB
Weights	4 kg	4 kg



SAFETY APPROVAL

