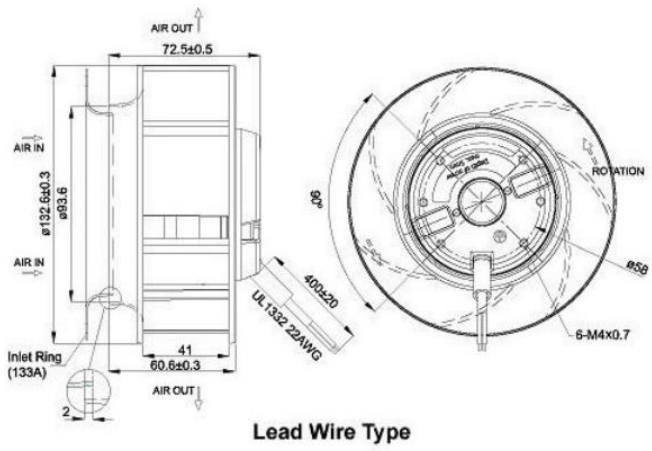




Centrifugal Fan
UF133(72)APA Series

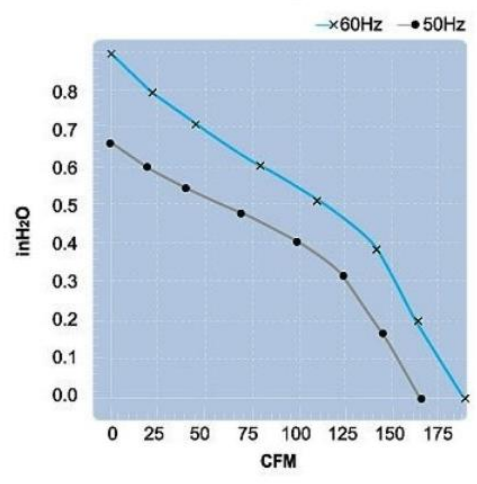
Frame/Housing:	Aluminum die-casting
Impeller:	Plastic or steel
Bearing System:	Ball bearing
Motor:	Shaded pole or capacitor start-run
Protection:	Impedance-Protected or Thermally-Protected or Electronically-Protected
Insulation Resistance:	Above 100MΩ, DC500V.
Dielectric withstand voltage	AC 1,500V (50/60Hz) one minute
Life Expectancy:	Ball bearing: Over 40,000 hr. (at 40°C)
Safety Approval:	CUL, CE, TUV, either UL or ETL.
Description of Model No.	UF 220 A P A 11 H1 C 2 A
	1 2 3 4 5 6 7 8 9 10

	UF133(72)APA11H1S2A	UF133(72)APA23H1S2A
Rated Voltage	115 V	230 V
Frequency	50/60 Hz	50/60 Hz
Input Power	42/41 W	40/39 W
Rated Current	0.5/0.43 A	0.24/0.21 A
Locked Current	0.83/0.72 A	0.39/0.34 A
Speed	2780/3200 RPM	2780/3200 RPM
Maximum Air Flow	4.66/5.33 m ³ /min.	4.66/5.33 m ³ /min.
Maximum Air Flow	165/188 CFM	165/188 CFM
Maximum Pressure	16.6/22.4 mmH2O	16.6/22.4 mmH2O
Maximum Pressure	0.65/0.88 InchH2O	0.65/0.88 InchH2O
Noise	50/60 dB	50/60 dB
Weights	0.9 kg	0.9 kg



Lead Wire Type

(Centrifugal Fan)



SAFETY APPROVAL

