

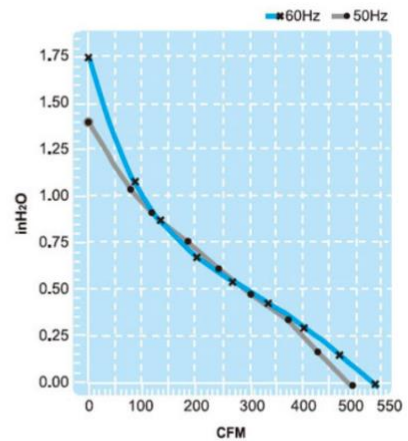
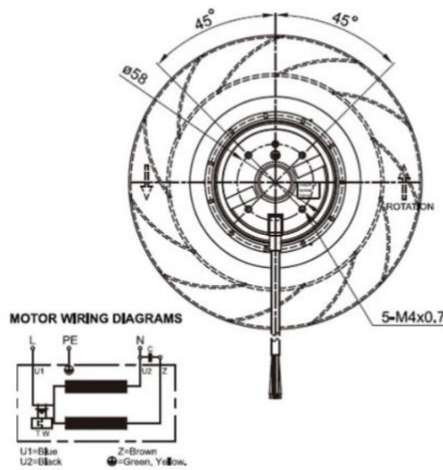
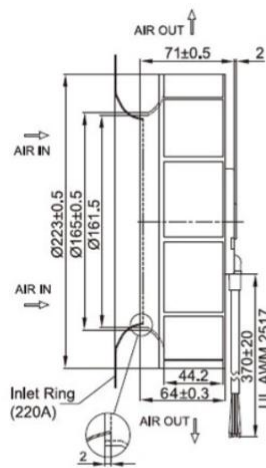


Centrifugal Fan

UF220APA Series

| | |
|------------------------------|--|
| Frame/Housing: | Aluminum die-casting |
| Impeller: | Plastic or steel |
| Bearing System: | Ball bearing |
| Motor: | Shaded pole or capacitor start-run |
| Protection: | Impedance-Protected or Thermally-Protected or Electronically-Protected |
| Insulation Resistance: | Above 100MΩ, DC500V. |
| Dielectric withstand voltage | AC 1,500V (50/60Hz) one minute |
| Life Expectancy: | Ball bearing: Over 40,000 hr. (at 40°C) |
| Safety Approval: | CUL, CE, TUV, either UL or ETL. |
| Description of Model No. | UF 220 A P A 11 H1 C 2 A |
| | 1 2 3 4 5 6 7 8 9 10 |

| | UF220APA11H2C2A | UF220APA23H2C2A |
|------------------|----------------------------|----------------------------|
| Rated Voltage | 115 V | 230 V |
| Frequency | 50/60 Hz | 50/60 Hz |
| Input Power | 90/117 W | 90/117 W |
| Rated Current | 0.63/0.8 A | 0.35/0.39 A |
| Locked Current | 0.88/0.93 A | 0.47/0.49 A |
| Speed | 2500/2650 RPM | 2500/2650 RPM |
| Maximum Air Flow | 14/15 m ³ /min. | 14/15 m ³ /min. |
| Maximum Air Flow | 500/530 CFM | 500/530 CFM |
| Maximum Pressure | 35/38 mmH2O | 35/38 mmH2O |
| Maximum Pressure | 1.4/1.7 InchH2O | 1.4/1.7 InchH2O |
| Noise | 65/70 dB | 65/70 dB |
| Weights | 1.5 kg | 1.5 kg |



SAFETY APPROVAL

