



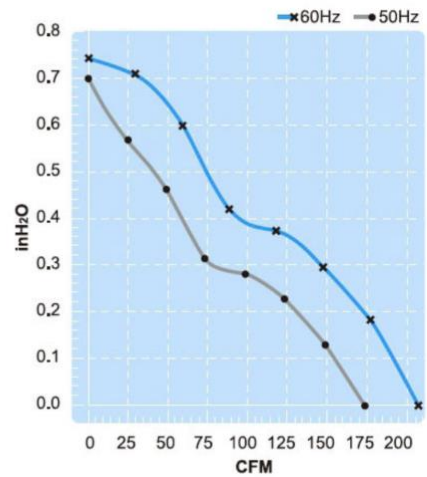
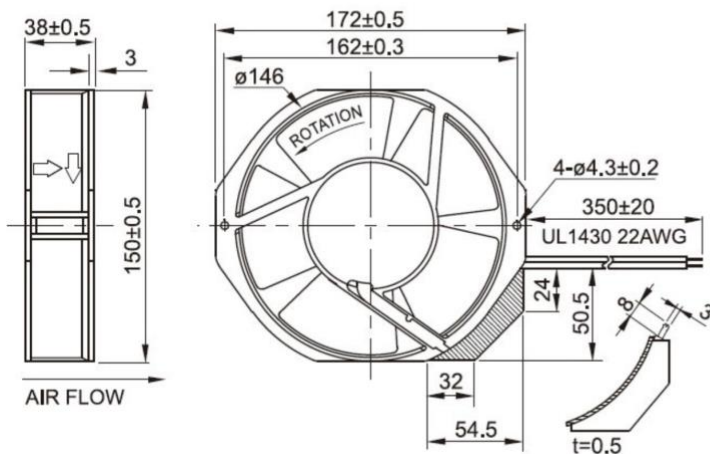
## Axial Fan

# UF15AC Series

|                               |  |
|-------------------------------|--|
| Frame/Housing:                | Aluminum die-casting   |
| Impeller:                     | Plastic PBT PC, nylon or metal   |
| Bearing System:               | Ball bearing or sleeve bearing   |
| Motor:                        | Shaded pole or capacitor start-run   |
| Connection:                   | Lead wire or terminal type   |
| Protection:                   | Impedance-Protected or Thermally-Protected   |
| Dielectric withstand voltage: | Above 10MΩ, DC500V   |
| Life Expectancy:              | Ball bearing: Over 40,000 hr. (at 40°C)<br>Sleeve bearing: Over 15,000 hr. (at 40°C) |
| Safety Approval:              | CUL, CE, TUV, either UL or ETL   |

|                          |    |    |   |     |    |   |   |   |   |
|--------------------------|----|----|---|-----|----|---|---|---|---|
| Description of Model No. | UF | 12 | A | (R) | 11 | B | T | H | N |
|                          | 1  | 2  | 3 | 4   | 5  | 6 | 7 | 8 | 9 |

|                  | UF15AC11-H        | UF15AC23-H        |
|------------------|-------------------|-------------------|
| Rated Voltage    | 115 V             | 230 V             |
| Frequency        | 50/60 Hz          | 50/60 Hz          |
| Input Power      | 29/28 W           | 27/26 W           |
| Rated Current    | 0.25/0.23 A       | 0.11/0.11 A       |
| Locked Current   | 0.36/0.38 A       | 0.18/0.18 A       |
| Speed            | 2850/3400 RPM     | 2850/3400 RPM     |
| Maximum Air Flow | 5/6 m3/min.       | 5/6 m3/min.       |
| Maximum Air Flow | 177/212 CFM       | 177/212 CFM       |
| Maximum Pressure | 17/19 mmH2O       | 17/19 mmH2O       |
| Maximum Pressure | 0.67/0.75 InchH2O | 0.67/0.75 InchH2O |
| Noise            | 54/58 dB          | 54/58 dB          |
| Weights          | 0.72 kg           | 0.72 kg           |



SAFETY APPROVAL

