



Axial Fan

UF25GCM Series

Frame/Housing: Aluminum die-casting

Impeller: Plastic PBT PC, nylon or metal

Bearing System: Ball bearing or sleeve bearing

Motor: Shaded pole or capacitor start-run

Connection: Lead wire or terminal type

Protection: Impedance-Protected or Thermally-Protected

Dielectric withstand voltage: Above 10MΩ, DC500V

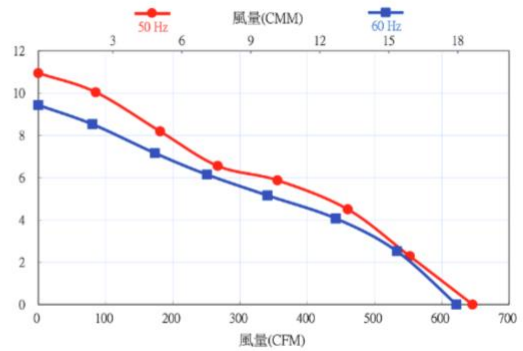
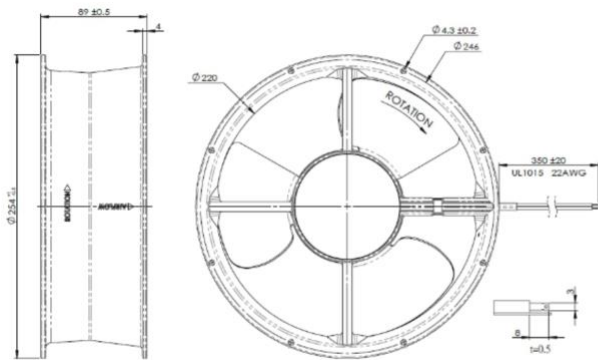
Life Expectancy: Ball bearing: Over 40,000 hr. (at 40°C)
Sleeve bearing: Over 15,000 hr. (at 40°C)

Safety Approval: CUL, CE, TUV, either UL or ETL

Description of Model No.

UF	12	A	(R)	11	B	T	H	N
1	2	3	4	5	6	7	8	9

	UF25GCM11-H	UF25GCM23-H
Rated Voltage	115V	230V
Frequency	50/60 Hz	50/60 Hz
Input Power	53/67 W	53/67 W
Rated Current	0.46/0.58 A	0.23/0.29 A
Locked Current	0.61/0.63 A	0.30/0.31 A
Speed	2200/2150 RPM	2200/2150 RPM
Maximum Air Flow	18.3/17.8 m3/min.	18.3/17.8 m3/min.
Maximum Air Flow	645/630 CFM	645/630 CFM
Maximum Pressure	11.7/9.9 mmH2O	10.9/9.4 mmH2O
Maximum Pressure	0.46/0.39 InchH2O	0.46/0.37 InchH2O
Noise	62/62 dB	62/62 dB
Weights	2.7 K	2.7 Kg



SAFETY APPROVAL

