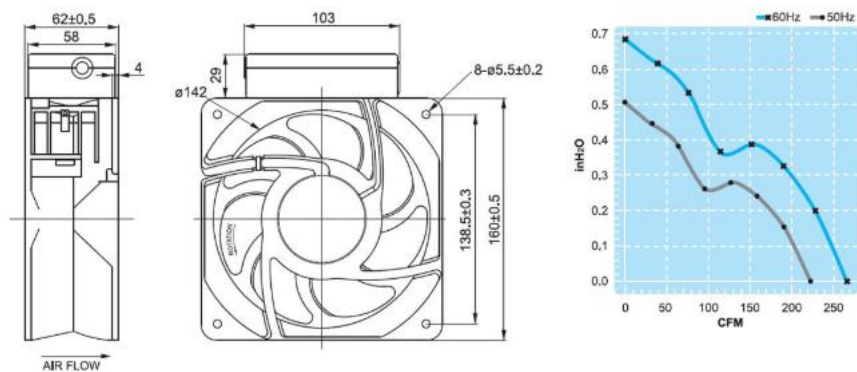




Axial Fan UF16FC Series

Frame/Housing:	Aluminum die-casting
Impeller:	Plastic PBT PC,nylon or metal
Bearing System:	Ball bearing or sleeve bearing
Motor:	Shaded pole or capacitor start-run
Connection:	Lead wire or terminal type
Protection:	Impedance-Protected or Thermally-Protected
Dielectric withstand voltage:	Above 10MΩ, DC500V
Life Expectancy:	Ball bearing:Over 40,000 hr.(at 40°C) Sleeve bearing:Over 15,000 hr.(at 40°C)
Safety Approval:	CUL, CE, TUV, either UL or ETL
Description of Model No.	UF 12 A (R) 11 B T H N
	1 2 3 4 5 6 7 8 9

	UF16FC10-H	UF16FC23-H
Rated Voltage	115 V	230 V
Frequency	50/60 Hz	50/60 Hz
Input Power	46/41 W	46/41 W
Rated Current	0.43/0.34 A	0.22/0.17 A
Locked Current	0.8/0.79 A	0.2/0.41 A
Speed	2850/3400 RPM	2850/3400 RPM
Maximum Air Flow	6.3/7.5 m3/min.	6.3/7.5 m3/min.
Maximum Air Flow	222/265 CFM	222/265 CFM
Maximum Pressure	13.5/18.2 mmH2O	13.5/18.2 mmH2O
Maximum Pressure	0.53/0.72 InchH2O	0.53/0.72 InchH2O
Noise	52/56 dB	52/56 dB
Weights	1.33 kg	1.33 kg



SAFETY APPROVAL

