



## Axial Fan

# UF18JC Series

Frame/Housing: Aluminum die-casting

Impeller: Plastic PBT PC, nylon or metal

Bearing System: Ball bearing or sleeve bearing

Motor: Shaded pole or capacitor start-run

Connection: Lead wire or terminal type

Protection: Impedance-Protected or Thermally-Protected

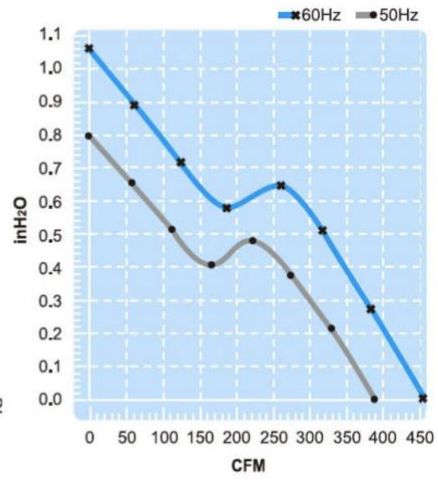
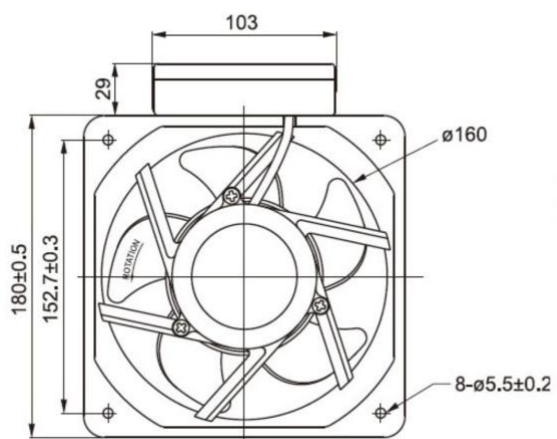
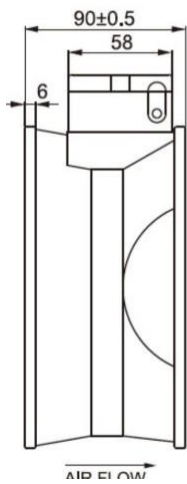
Dielectric withstand voltage: Above 10MΩ, DC500V

Life Expectancy: Ball bearing: Over 40,000 hr. (at 40°C)  
Sleeve bearing: Over 15,000 hr. (at 40°C)

Safety Approval: CUL, CE, TUV, either UL or ETL

Description of Model No.	UF	12	A	(R)	11	B	T	H	N
	1	2	3	4	5	6	7	8	9

	UF18JC11-H	UF18JC23-H
Rated Voltage	115 V	230 V
Frequency	50/60 Hz	50/60 Hz
Input Power	78/72 W	75/72 W
Rated Current	0.88/0.63 A	0.42/0.31 A
Locked Current	2/2.01 A	1/1.01 A
Speed	2850/3400 RPM	2850/3400 RPM
Maximum Air Flow	11/13 m3/min.	11/13 m3/min.
Maximum Air Flow	390/460 CFM	390/460 CFM
Maximum Pressure	20/27 mmH2O	20/27 mmH2O
Maximum Pressure	0.78/1.06 InchH2O	0.78/1.06 InchH2O
Noise	54/59 dB	54/59 dB
Weights	2.2 kg	2.2 kg



SAFETY APPROVAL

