



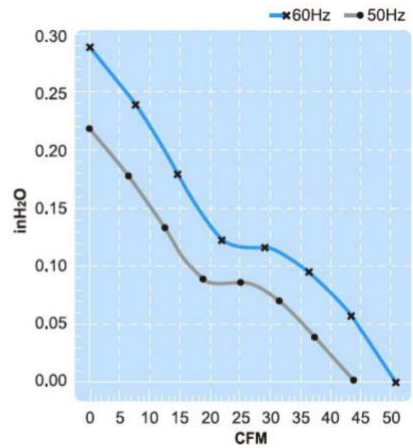
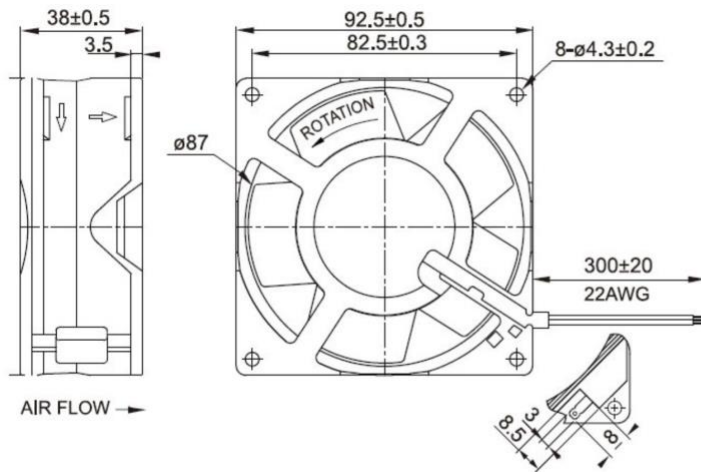
Axial Fan

UF92AM Series

Frame/Housing:	Aluminum die-casting
Impeller:	Plastic PBT PC, nylon or metal
Bearing System:	Ball bearing or sleeve bearing
Motor:	Shaded pole or capacitor start-run
Connection:	Lead wire or terminal type
Protection:	Impedance-Protected or Thermally-Protected
Dielectric withstand voltage:	Above 10MΩ, DC500V
Life Expectancy:	Ball bearing: Over 40,000 hr. (at 40°C) Sleeve bearing: Over 15,000 hr. (at 40°C)
Safety Approval:	CUL, CE, TUV, either UL or ETL

Description of Model No.	UF	12	A	(R)	11	B	T	H	N
	1	2	3	4	5	6	7	8	9

	UF92AM11-H	UF92AM23-H
Rated Voltage	115 V	230 V
Frequency	50/60 Hz	50/60 Hz
Input Power	12/11 W	12/11 W
Rated Current	0.13/0.11 A	0.06/0.05 A
Locked Current	0.19/0.17 A	0.09/0.08 A
Speed	2700/3200 RPM	2700/3200 RPM
Maximum Air Flow	1.25/1.45 m3/min.	1.25/1.45 m3/min.
Maximum Air Flow	44/51 CFM	44/51 CFM
Maximum Pressure	6/7.5 mmH2O	6/7.5 mmH2O
Maximum Pressure	0.24/0.3 InchH2O	0.24/0.3 InchH2O
Noise	37/42 dB	37/42 dB
Weights	0.43 kg	0.43 kg



SAFETY APPROVAL

