



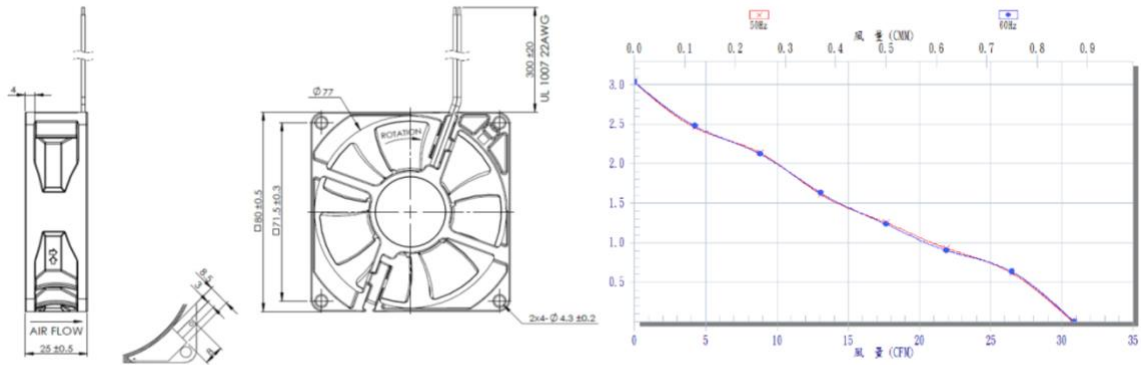
EC fan

UFT80BBPB Series

Frame/Housing:	Aluminum die-casting
Impeller:	Plastic or steel
Bearing System:	Ball bearing
Motor:	Brushless DC motor
Protection:	Electronically-Protected
Insulation Resistance:	Above 10MΩ, DC500V
Dielectric withstand voltage:	AC 1,500V (50/60Hz) one minute
Life Expectancy:	Ball bearing: Over 50,000 hr. (at 40°C)
Safety Approval:	CE .
Description of Model No.	UF 220 A P A 11 H1 C 2 A
	1 2 3 4 5 6 7 8 9 10

FT80BBPB0AM1D4A

Rated Voltage	115~230
Frequency	50/60
Input Power	2.8
Rated Current	0.053(115VAC) 0.031(230VAC)
Locked Current	0.070(115VAC) 0.037(230VAC)
Speed	3150
Maximum Air Flow	0.9
Maximum Air Flow	31
Maximum Pressure	3.0
Maximum Pressure	0.12
Noise	32
Weights	0.072Kg



SAFETY APPROVAL

CE