

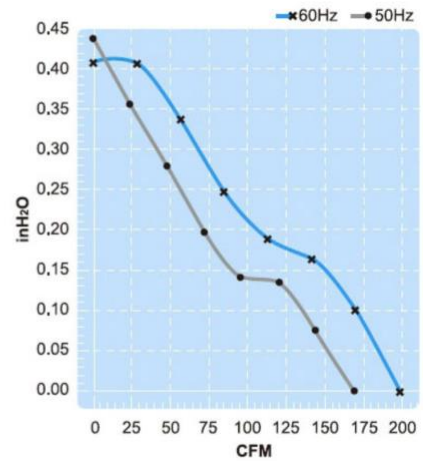
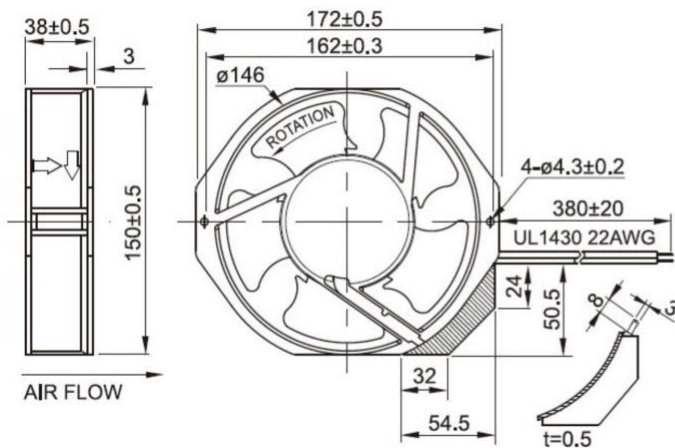


Axial Fan

UF15A Series

Frame/Housing:	Aluminum die-casting
Impeller:	Plastic PBT PC,nylon or metal
Bearing System:	Ball bearing or sleeve bearing
Motor:	Shaded pole or capacitor start-run
Connection:	Lead wire or termnal type
Protection:	Impedance-Protected or Thermally-Protected
Dielectric withstand voltage:	Above 10MΩ, DC500V
Life Expectancy:	Ball bearing:Over 40,000 hr.(at 40°C) Sleeve bearing:Over 15,000 hr.(at 40°C)
Safety Approval:	CUL, CE, TUV, either UL or ETL
Description of Model No.	UF 12 A (R) 11 B T H N
	1 2 3 4 5 6 7 8 9

	UF15A11-H	UF15A23-H
Rated Voltage	115 V	230 V
Frequency	50/60 Hz	50/60 Hz
Input Power	36/30 W	39/31 W
Rated Current	0.5/0.38 A	0.25/0.19 A
Locked Current	0.66/0.56 A	0.32/0.28 A
Speed	2750/3200 RPM	2750/3200 RPM
Maximum Air Flow	4.7/5.6 m ³ /min.	4.7/5.6 m ³ /min.
Maximum Air Flow	166/198 CFM	166/198 CFM
Maximum Pressure	11/10 mmH ₂ O	11/10 mmH ₂ O
Maximum Pressure	0.43/0.4 InchH ₂ O	0.43/0.4 InchH ₂ O
Noise	50/55 dB	50/55 dB
Weights	0.78 kg	0.78 kg



SAFETY APPROVAL

