

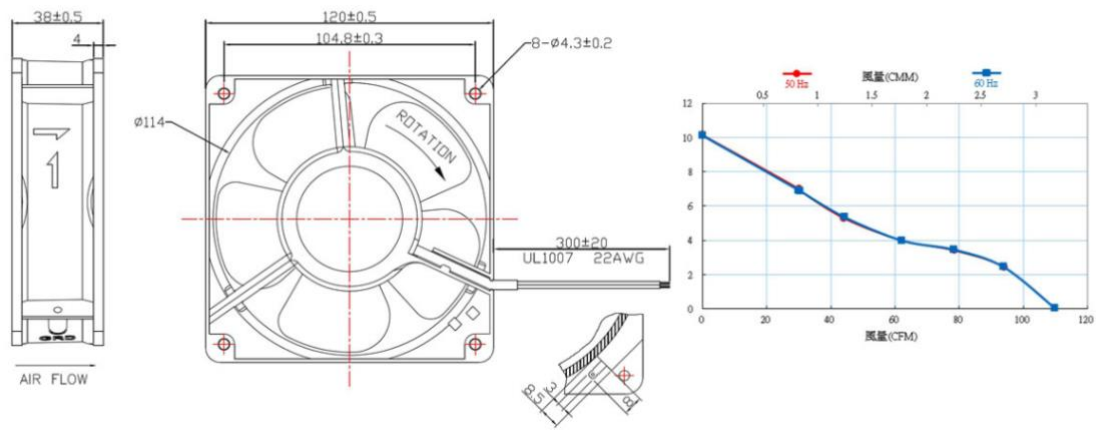


EC fan

## UFT12ABPB Series

Frame/Housing:	Aluminum die-casting
Impeller:	Plastic or steel
Bearing System:	Ball bearing
Motor:	Brushless DC motor
Protection:	Electronically-Protected
Insulation Resistance:	Above 10MΩ, DC500V
Dielectric withstand voltage:	AC 1,500V (50/60Hz) one minute
Life Expectancy:	Ball bearing: Over 50,000 hr. (at 40°C)
Safety Approval:	CE .
Description of Model No.	UF 220 A P A 11 H1 C 2 A
	1 2 3 4 5 6 7 8 9 10

UFT12ABPB0AM1D4A	
Rated Voltage	115~230 V
Frequency	50/60 Hz
Input Power	4.9(115V) 5.2(230V) W
Rated Current	0.08(115V) 0.06(230V) A
Locked Current	0.09(115V) 0.06(230V) A
Speed	3200 RPM
Maximum Air Flow	3.0 m <sup>3</sup> /min.
Maximum Air Flow	106 CFM
Maximum Pressure	8.6 mmH <sub>2</sub> O
Maximum Pressure	0.34 InchH <sub>2</sub> O
Noise	43 dB
Weights	0.29 kg



SAFETY APPROVAL

