



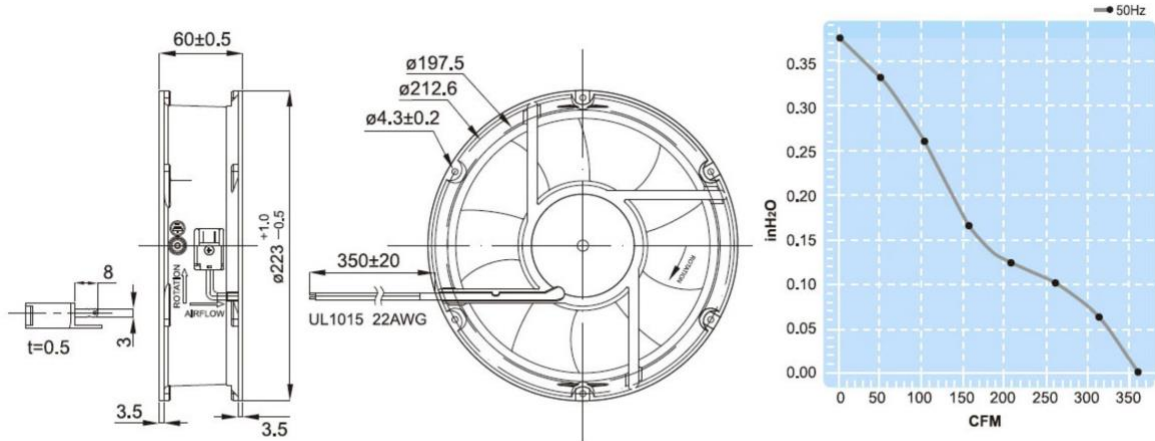
Axial Fan

UF22F Series

Frame/Housing:	Aluminum die-casting																		
Impeller:	Plastic PBT PC, nylon or metal																		
Bearing System:	Ball bearing or sleeve bearing																		
Motor:	Shaded pole or capacitor start-run																		
Connection:	Lead wire or terminal type																		
Protection:	Impedance-Protected or Thermally-Protected																		
Dielectric withstand voltage:	Above 10MΩ, DC500V																		
Life Expectancy:	Ball bearing: Over 40,000 hr. (at 40°C) Sleeve bearing: Over 15,000 hr. (at 40°C)																		
Safety Approval:	CUL, CE, TUV, either UL or ETL																		
Description of Model No.	<table border="1"> <tr> <td>UF</td> <td>12</td> <td>A</td> <td>(R)</td> <td>11</td> <td>B</td> <td>T</td> <td>H</td> <td>N</td> </tr> <tr> <td>1</td> <td>2</td> <td>3</td> <td>4</td> <td>5</td> <td>6</td> <td>7</td> <td>8</td> <td>9</td> </tr> </table>	UF	12	A	(R)	11	B	T	H	N	1	2	3	4	5	6	7	8	9
UF	12	A	(R)	11	B	T	H	N											
1	2	3	4	5	6	7	8	9											

UF22F23-H

Rated Voltage	230 V
Frequency	50 Hz
Input Power	47 W
Rated Current	0.35 A
Locked Current	0.56 A
Speed	2700 RPM
Maximum Air Flow	11 m ³ /min.
Maximum Air Flow	400 CFM
Maximum Pressure	10.9 mmH ₂ O
Maximum Pressure	0.43 InchH ₂ O
Noise	57 dB
Weights	1.5 kg



SAFETY APPROVAL

CE