



EC fan

# UFT92BBPB Series

Frame/Housing: Aluminum die-casting

Impeller: Plastic or steel

Bearing System: Ball bearing

Motor: Brushless DC motor

Protection: Electronically-Protected

Insulation Resistance: Above 10MΩ, DC500V

Dielectric withstand voltage: AC 1,500V (50/60Hz) one minute

Life Expectancy: Ball bearing: Over 50,000 hr. (at 40°C)

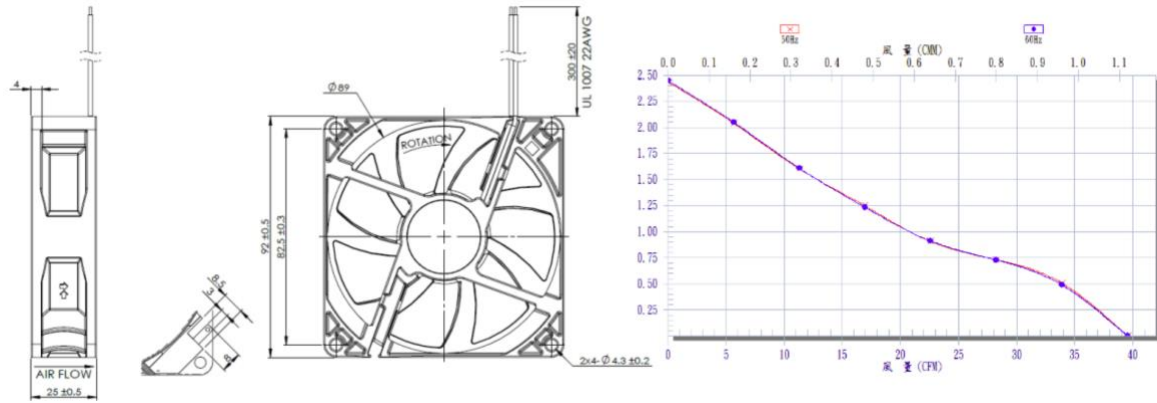
Safety Approval: CE .

Description of Model No.

UF	220	A	P	A	11	H1	C	2	A
1	2	3	4	5	6	7	8	9	10

## UFT92BBPB0AM1D4A

Rated Voltage	115~230
Frequency	50/60
Input Power	3.0
Rated Current	0.057(115VAC) 0.033(230VAC)
Locked Current	0.082(115VAC) 0.038(230VAC)
Speed	2650
Maximum Air Flow	1.1
Maximum Air Flow	39
Maximum Pressure	2.3
Maximum Pressure	0.09
Noise	34
Weights	0.085kg



SAFETY APPROVAL

CE