

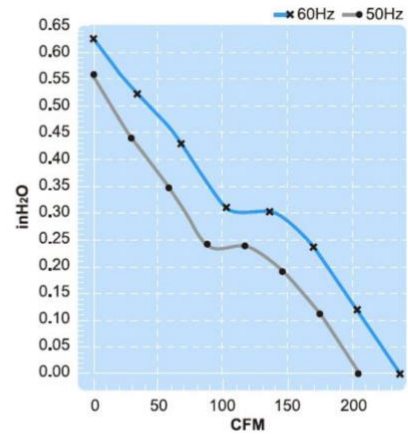
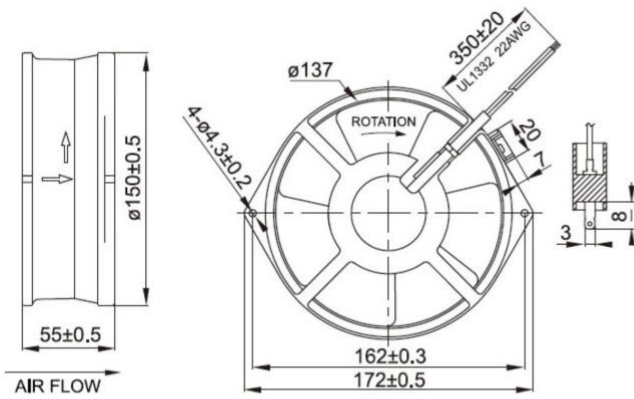


Axial Fan

UF15KM Series

Frame/Housing:	Aluminum die-casting
Impeller:	Plastic PBT PC,nylon or metal
Bearing System:	Ball bearing or sleeve bearing
Motor:	Shaded pole or capacitor start-run
Connection:	Lead wire or termnal type
Protection:	Impedance-Protected or Thermally-Protected
Dielectric withstand voltage:	Above 10MΩ, DC500V
Life Expectancy:	Ball bearing:Over 40,000 hr.(at 40°C) Sleeve bearing:Over 15,000 hr.(at 40°C)
Safety Approval:	CUL, CE, TUV, either UL or ETL
Description of Model No.	UF 12 A (R) 11 B T H N
	1 2 3 4 5 6 7 8 9

	UF15KM11-H	UF15KM23-H
Rated Voltage	115 V	230 V
Frequency	50/60 Hz	50/60 Hz
Input Power	42/42 W	42/42 W
Rated Current	0.52/0.47 A	0.25/0.23 A
Locked Current	0.88/0.75 A	0.43/0.37 A
Speed	2800/3250 RPM	2800/3250 RPM
Maximum Air Flow	5.5/6.5 m ³ /min.	5.5/6.5 m ³ /min.
Maximum Air Flow	195/230 CFM	195/230 CFM
Maximum Pressure	14/16 mmH ₂ O	14/16 mmH ₂ O
Maximum Pressure	0.55/0.63 InchH ₂ O	0.55/0.63 InchH ₂ O
Noise	49/53 dB	49/53 dB
Weights	1.1 kg	1.1 kg



SAFETY APPROVAL

