

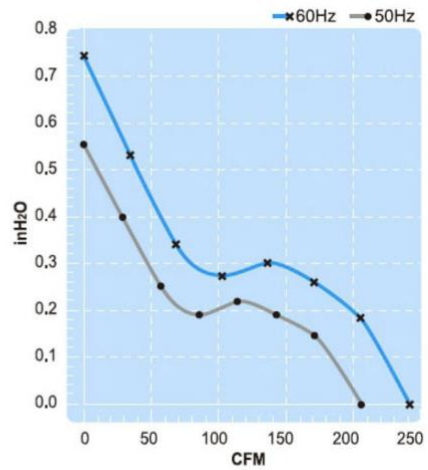
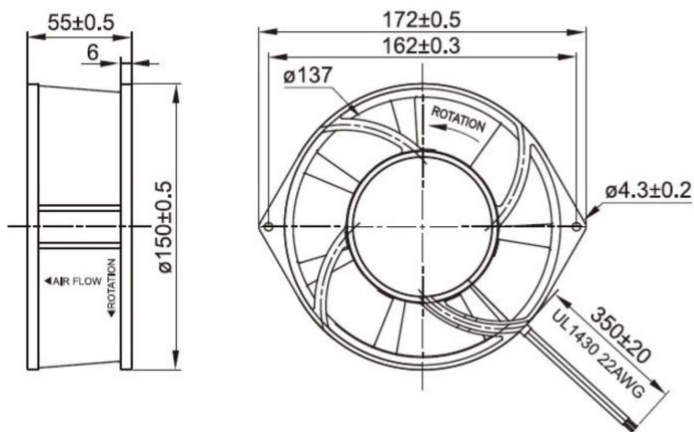


Axial Fan

UF15KCR Series

Frame/Housing:	Aluminum die-casting
Impeller:	Plastic PBT PC,nylon or metal
Bearing System:	Ball bearing or sleeve bearing
Motor:	Shaded pole or capacitor start-run
Connection:	Lead wire or termnal type
Protection:	Impedance-Protected or Thermally-Protected
Dielectric withstand voltage:	Above 10MΩ, DC500V
Life Expectancy:	Ball bearing:Over 40,000 hr.(at 40°C) Sleeve bearing:Over 15,000 hr.(at 40°C)
Safety Approval:	CUL, CE, TUV, either UL or ETL
Description of Model No.	UF 12 A (R) 11 B T H N
	1 2 3 4 5 6 7 8 9

	UF15KCR11-H	UF15KCR23-H
Rated Voltage	115 V	230 V
Frequency	50/60 Hz	50/60 Hz
Input Power	26/30 W	26/31 W
Rated Current	0.24/0.25 A	0.11/0.13 A
Locked Current	0.58/0.58 A	0.28/0.28 A
Speed	2850/3400 RPM	2850/3400 RPM
Maximum Air Flow	5.8/6.8 m3/min.	5.8/6.8 m3/min.
Maximum Air Flow	205/241 CFM	205/241 CFM
Maximum Pressure	14/18.5 mmH2O	14/18.5 mmH2O
Maximum Pressure	0.55/0.73 InchH2O	0.55/0.73 InchH2O
Noise	61/66 dB	61/66 dB
Weights	1.08 kg	1.08 kg



SAFETY APPROVAL

