

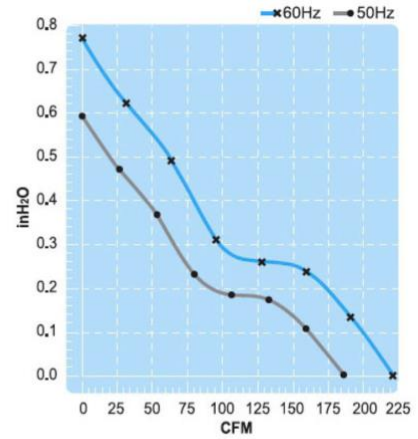
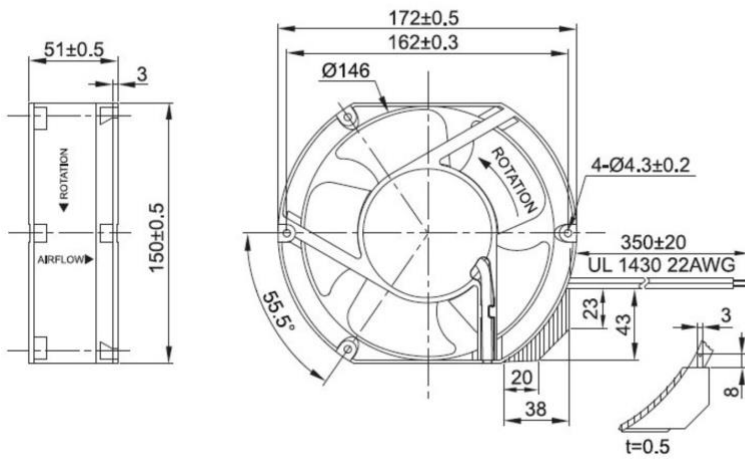


Axial Fan

UF15PC Series

Frame/Housing:	Aluminum die-casting
Impeller:	Plastic PBT PC, nylon or metal
Bearing System:	Ball bearing or sleeve bearing
Motor:	Shaded pole or capacitor start-run
Connection:	Lead wire or terminal type
Protection:	Impedance-Protected or Thermally-Protected
Dielectric withstand voltage:	Above 10MΩ, DC500V
Life Expectancy:	Ball bearing: Over 40,000 hr. (at 40°C) Sleeve bearing: Over 15,000 hr. (at 40°C)
Safety Approval:	CUL, CE, TUV, either UL or ETL
Description of Model No.	UF 12 A (R) 11 B T H N
	1 2 3 4 5 6 7 8 9

	UF15PC11-H	UF15PC23-H
Rated Voltage	115 V	230 V
Frequency	50/60 Hz	50/60 Hz
Input Power	31/31 W	29/29 W
Rated Current	0.26/0.25 A	0.12/0.12 A
Locked Current	0.41/0.43 A	0.19/0.19 A
Speed	2850/3400 RPM	2850/3400 RPM
Maximum Air Flow	5.8/6.4 m3/min.	5.8/6.4 m3/min.
Maximum Air Flow	205/226 CFM	205/226 CFM
Maximum Pressure	16/20 mmH2O	16/20 mmH2O
Maximum Pressure	0.63/0.79 InchH2O	0.63/0.79 InchH2O
Noise	53/58 dB	53/58 dB
Weights	0.8 kg	0.8 kg



SAFETY APPROVAL

