

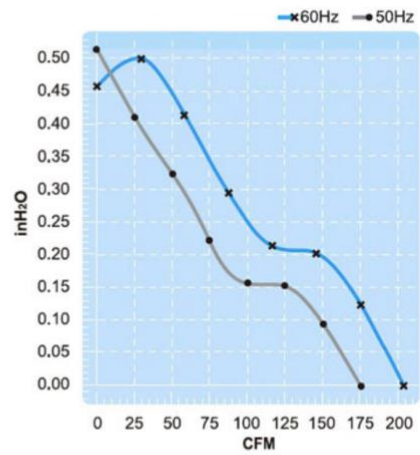
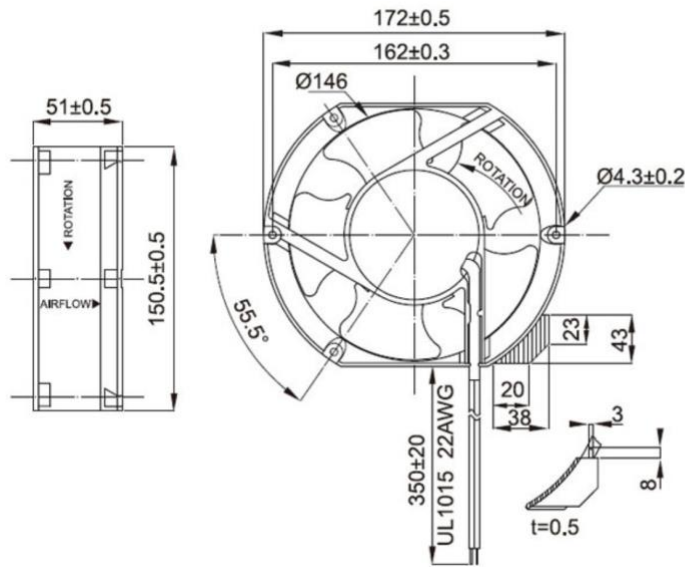


## Axial Fan

# UF15P Series

Frame/Housing:	Aluminum die-casting
Impeller:	Plastic PBT PC, nylon or metal
Bearing System:	Ball bearing or sleeve bearing
Motor:	Shaded pole or capacitor start-run
Connection:	Lead wire or terminal type
Protection:	Impedance-Protected or Thermally-Protected
Dielectric withstand voltage:	Above 10MΩ, DC500V
Life Expectancy:	Ball bearing: Over 40,000 hr. (at 40°C) Sleeve bearing: Over 15,000 hr. (at 40°C)
Safety Approval:	CUL, CE, TUV, either UL or ETL
Description of Model No.	UF 12 A (R) 11 B T H N
	1 2 3 4 5 6 7 8 9

	UF15P11-H	UF15P23-H
Rated Voltage	115 V	230 V
Frequency	50/60 Hz	50/60 Hz
Input Power	32/28 W	35/30 W
Rated Current	0.43/0.36 A	0.23/0.18 A
Locked Current	0.51/0.45 A	0.29/0.25 A
Speed	2750/3100 RPM	2750/3100 RPM
Maximum Air Flow	4.8/5.5 m <sup>3</sup> /min.	4.8/5.5 m <sup>3</sup> /min.
Maximum Air Flow	170/195 CFM	170/195 CFM
Maximum Pressure	10.5/9.5 mmH <sub>2</sub> O	10.5/9.5 mmH <sub>2</sub> O
Maximum Pressure	0.42/0.38 InchH <sub>2</sub> O	0.42/0.38 InchH <sub>2</sub> O
Noise	50/55 dB	50/55 dB
Weights	0.9 kg	0.9 kg



SAFETY APPROVAL

