

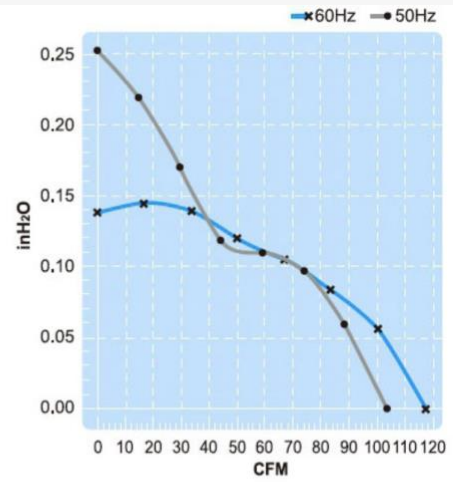
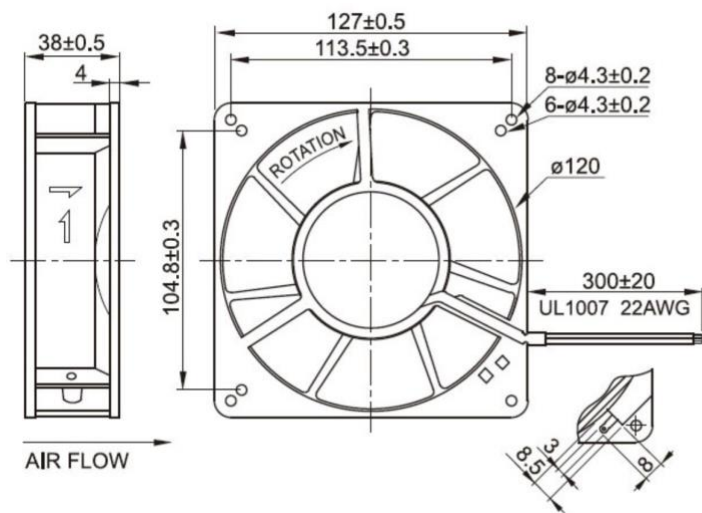


Axial Fan

UF13A Series

Frame/Housing:	Aluminum die-casting
Impeller:	Plastic PBT PC, nylon or metal
Bearing System:	Ball bearing or sleeve bearing
Motor:	Shaded pole or capacitor start-run
Connection:	Lead wire or terminal type
Protection:	Impedance-Protected or Thermally-Protected
Dielectric withstand voltage:	Above 10MΩ, DC500V
Life Expectancy:	Ball bearing: Over 40,000 hr. (at 40°C) Sleeve bearing: Over 15,000 hr. (at 40°C)
Safety Approval:	CUL, CE, TUV, either UL or ETL
Description of Model No.	UF 12 A (R) 11 B T H N
	1 2 3 4 5 6 7 8 9

	UF13A11-H	UF13A23-H
Rated Voltage	115 V	230 V
Frequency	50/60 Hz	50/60 Hz
Input Power	14/12 W	17/15 W
Rated Current	0.2/0.16 A	0.1/0.09 A
Locked Current	0.26/0.23 A	0.13/0.11 A
Speed	2700/3000 RPM	2700/3000 RPM
Maximum Air Flow	2.9/3.4 m ³ /min.	2.9/3.4 m ³ /min.
Maximum Air Flow	103/120 CFM	103/120 CFM
Maximum Pressure	7.3/2.8 mmH ₂ O	7.3/2.8 mmH ₂ O
Maximum Pressure	0.29/0.11 InchH ₂ O	0.29/0.11 InchH ₂ O
Noise	46/50 dB	46/50 dB
Weights	0.55 kg	0.55 kg



SAFETY APPROVAL

