

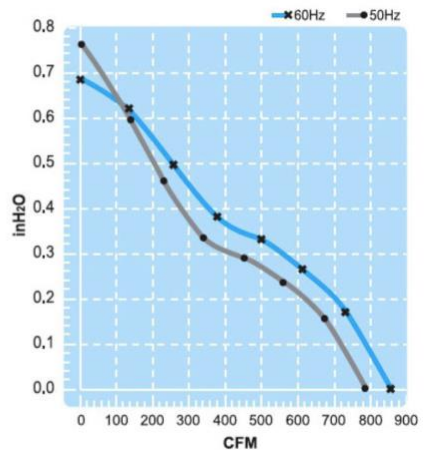
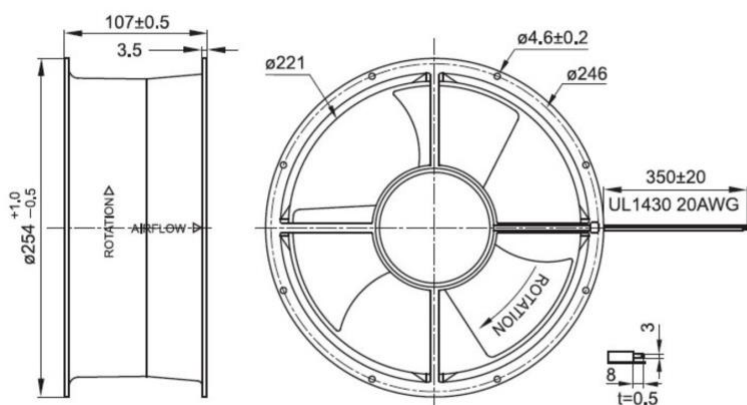


Axial Fan

UF25HC Series

Frame/Housing:	Aluminum die-casting
Impeller:	Plastic PBT PC, nylon or metal
Bearing System:	Ball bearing or sleeve bearing
Motor:	Shaded pole or capacitor start-run
Connection:	Lead wire or terminal type
Protection:	Impedance-Protected or Thermally-Protected
Dielectric withstand voltage:	Above 10MΩ, DC500V
Life Expectancy:	Ball bearing: Over 40,000 hr. (at 40°C) Sleeve bearing: Over 15,000 hr. (at 40°C)
Safety Approval:	CUL, CE, TUV, either UL or ETL
Description of Model No.	UF 12 A (R) 11 B T H N
	1 2 3 4 5 6 7 8 9

	UF25HC11-H	UF25HC23-H
Rated Voltage	115 V	230 V
Frequency	50/60 Hz	50/60 Hz
Input Power	95/125 W	95/125 W
Rated Current	0.85/1.07 A	0.42/0.5 A
Locked Current	1.65/1.5 A	0.8/0.75 A
Speed	2600/2750 RPM	2600/2750 RPM
Maximum Air Flow	22/24 m3/min.	22/24 m3/min.
Maximum Air Flow	780/850 CFM	780/850 CFM
Maximum Pressure	19/17.5 mmH2O	19/17.5 mmH2O
Maximum Pressure	0.75/0.68 InchH2O	0.75/0.68 InchH2O
Noise	63/65 dB	63/65 dB
Weights	2.5 kg	2.5 kg



SAFETY APPROVAL

