



## Axial Fan

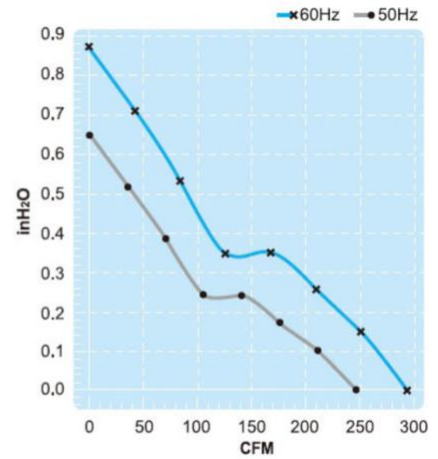
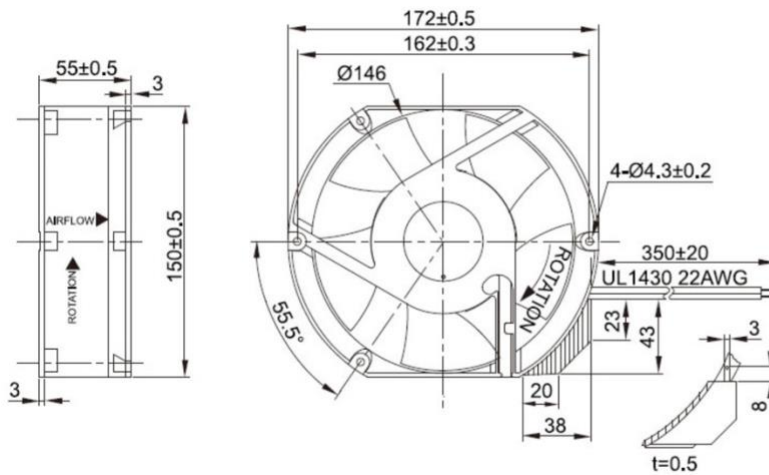
# UF15KC Series

Frame/Housing:	Aluminum die-casting
Impeller:	Plastic PBT PC,nylon or metal
Bearing System:	Ball bearing or sleeve bearing
Motor:	Shaded pole or capacitor start-run
Connection:	Lead wire or termnal type
Protection:	Impedance-Protected or Thermally-Protected
Dielectric withstand voltage:	Above 10MΩ, DC500V
Life Expectancy:	Ball bearing:Over 40,000 hr.(at 40°C) Sleeve bearing:Over 15,000 hr.(at 40°C)
Safety Approval:	CUL, CE, TUV, either UL or ETL

Description of Model No.

UF	12	A	(R)	11	B	T	H	N
1	2	3	4	5	6	7	8	9

	UF15KC11-H	UF15KC23-H
Rated Voltage	115 V	230 V
Frequency	50/60 Hz	50/60 Hz
Input Power	39/38 W	38/38 W
Rated Current	0.38/0.34 A	0.18/0.17 A
Locked Current	0.75/0.76 A	0.38/0.38 A
Speed	2900/3400 RPM	2900/3400 RPM
Maximum Air Flow	6.8/8.3 m3/min.	6.8/8.3 m3/min.
Maximum Air Flow	240/293 CFM	240/293 CFM
Maximum Pressure	17/23 mmH2O	17/23 mmH2O
Maximum Pressure	0.67/0.9 InchH2O	0.67/0.9 InchH2O
Noise	55/60 dB	55/60 dB
Weights	1.05 kg	1.05 kg



SAFETY APPROVAL

