



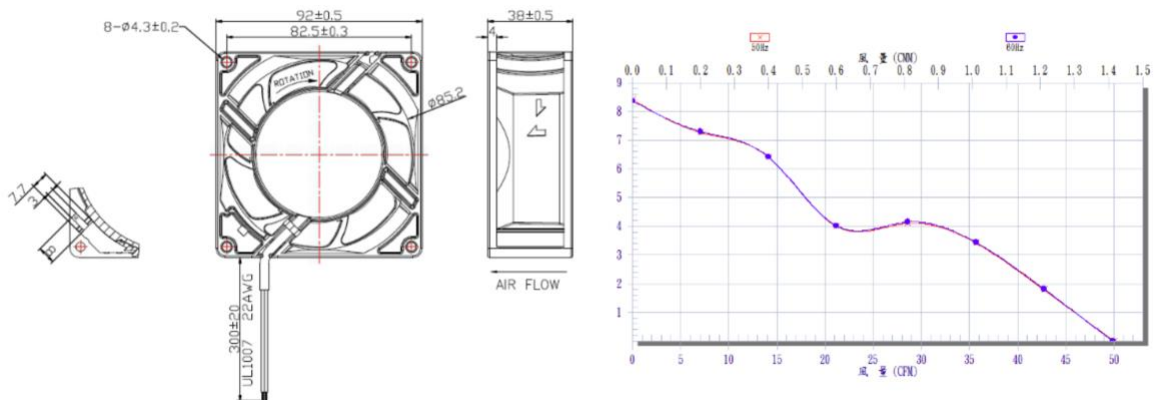
EC fan

UFT92ABPB Series

Frame/Housing:	Aluminum die-casting
Impeller:	Plastic or steel
Bearing System:	Ball bearing
Motor:	Brushless DC motor
Protection:	Electronically-Protected
Insulation Resistance:	Above 10MΩ, DC500V
Dielectric withstand voltage:	AC 1,500V (50/60Hz) one minute
Life Expectancy:	Ball bearing: Over 50,000 hr. (at 40°C)
Safety Approval:	CE .
Description of Model No.	UF 220 A P A 11 H1 C 2 A
	1 2 3 4 5 6 7 8 9 10

UFT92ABPB0AH1D4A

Rated Voltage	115~230
Frequency	50/60
Input Power	4.8(115VAC) 5.2(230VAC)
Rated Current	0.08(115VAC) 0.05(230VAC)
Locked Current	0.07(115VAC) 0.05(230VAC)
Speed	3850
Maximum Air Flow	1.4
Maximum Air Flow	50
Maximum Pressure	8.4
Maximum Pressure	0.33
Noise	43
Weights	0.225



SAFETY APPROVAL

CE