



EC fan

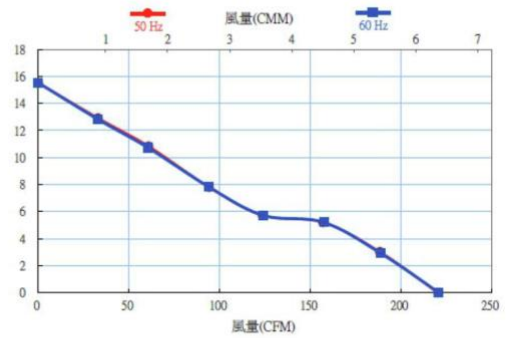
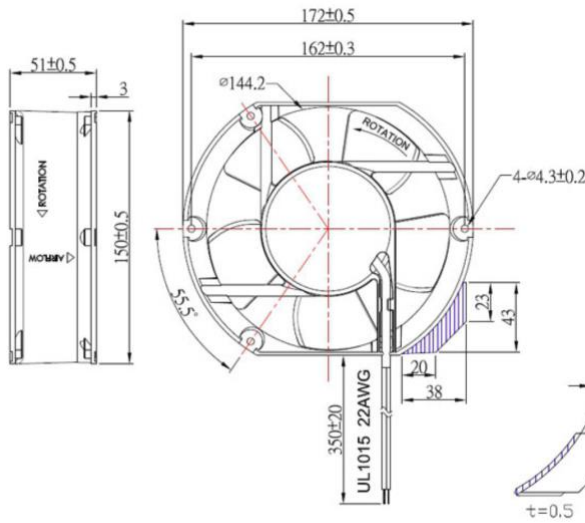
UFT15PBPB Series

Frame/Housing:	Aluminum die-casting
Impeller:	Plastic or steel
Bearing System:	Ball bearing
Motor:	Brushless DC motor
Protection:	Electronically-Protected
Insulation Resistance:	Above 10MΩ, DC500V
Dielectric withstand voltage:	AC 1,500V (50/60Hz) one minute
Life Expectancy:	Ball bearing: Over 50,000 hr. (at 40°C)
Safety Approval:	CE .
Description of Model No.	UF 220 A P A 11 H1 C 2 A
	1 2 3 4 5 6 7 8 9 10

UFT15PBPB11M1D4A

UFT15PBPB23M1D4A

Rated Voltage	115 V	230 V
Frequency	50/60 Hz	50/60 Hz
Input Power	15 W	15 W
Rated Current	0.23 A	0.13 A
Locked Current	0.25 A	0.47 A
Speed	3000 RPM	3000 RPM
Maximum Air Flow	6.2 m3/min.	6.2 m3/min.
Maximum Air Flow	220 CFM	220 CFM
Maximum Pressure	15.7 mmH2O	15.7 mmH2O
Maximum Pressure	0.62 InchH2O	0.62 InchH2O
Noise	57 dB	57 dB
Weights	0.7 kg	0.7 kg



SAFETY APPROVAL

