



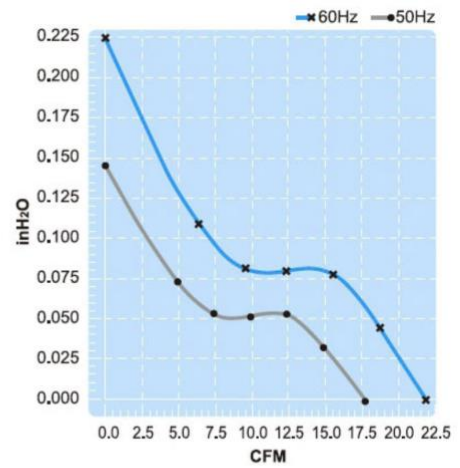
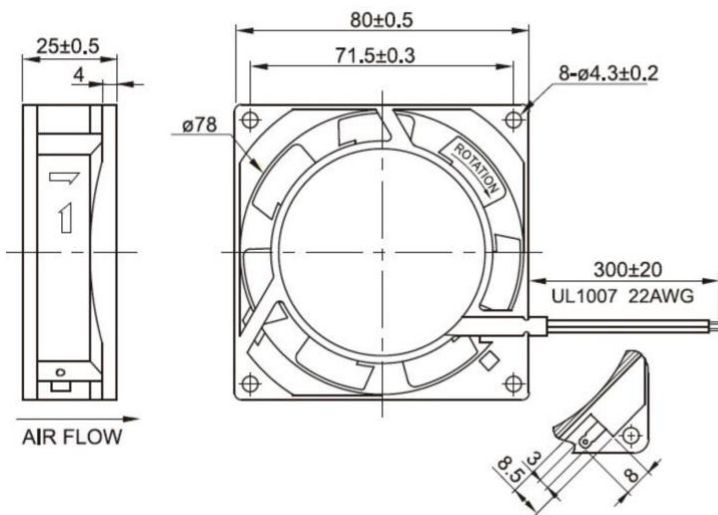
Axial Fan

UF80B Series

Frame/Housing:	Aluminum die-casting
Impeller:	Plastic PBT PC, nylon or metal
Bearing System:	Ball bearing or sleeve bearing
Motor:	Shaded pole or capacitor start-run
Connection:	Lead wire or terminal type
Protection:	Impedance-Protected or Thermally-Protected
Dielectric withstand voltage:	Above 10MΩ, DC500V
Life Expectancy:	Ball bearing: Over 40,000 hr. (at 40°C) Sleeve bearing: Over 15,000 hr. (at 40°C)
Safety Approval:	CUL, CE, TUV, either UL or ETL

Description of Model No.	UF	12	A	(R)	11	B	T	H	N
	1	2	3	4	5	6	7	8	9

	UF80B11-H	UF80B23-H
Rated Voltage	115 V	230 V
Frequency	50/60 Hz	50/60 Hz
Input Power	14/11 W	16/14 W
Rated Current	0.15/0.12 A	0.09/0.07 A
Locked Current	0.16/0.13 A	0.09/0.08 A
Speed	2600/3100 RPM	2600/3100 RPM
Maximum Air Flow	0.54/0.67 m3/min.	0.54/0.67 m3/min.
Maximum Air Flow	19/23 CFM	19/23 CFM
Maximum Pressure	3.6/5.5 mmH2O	3.6/5.5 mmH2O
Maximum Pressure	0.14/0.22 InchH2O	0.14/0.22 InchH2O
Noise	32/35 dB	32/35 dB
Weights	0.26 kg	0.26 kg



SAFETY APPROVAL