

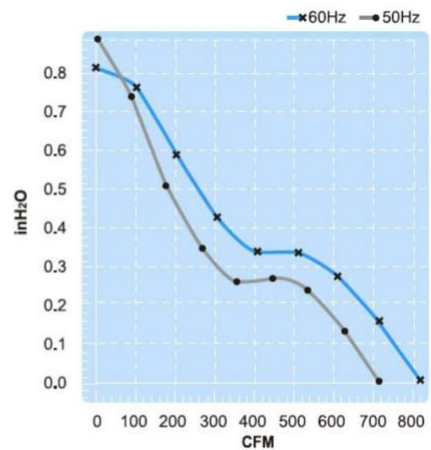
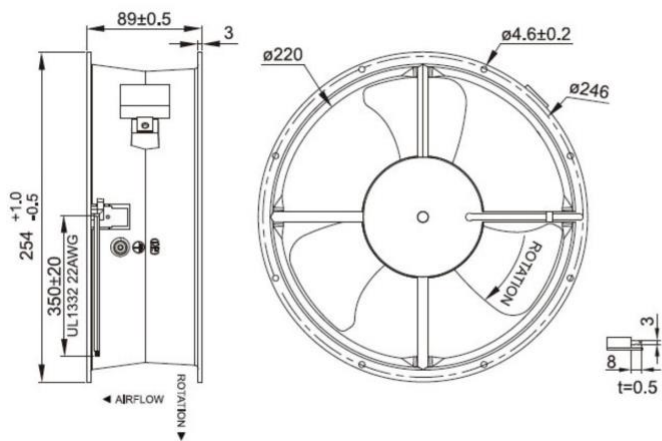


Axial Fan

UF25GCB Series

Frame/Housing:	Aluminum die-casting
Impeller:	Plastic PBT PC,nylon or metal
Bearing System:	Ball bearing or sleeve bearing
Motor:	Shaded pole or capacitor start-run
Connection:	Lead wire or termnal type
Protection:	Impedance-Protected or Thermally-Protected
Dielectric withstand voltage:	Above 10MΩ, DC500V
Life Expectancy:	Ball bearing:Over 40,000 hr.(at 40°C) Sleeve bearing:Over 15,000 hr.(at 40°C)
Safety Approval:	CUL, CE, TUV, either UL or ETL
Description of Model No.	UF 12 A (R) 11 B T H N
	1 2 3 4 5 6 7 8 9

	UF25GCB11-H	UF25GCB23-H
Rated Voltage	115 V	230 V
Frequency	50/60 Hz	50/60 Hz
Input Power	68/96 W	70/98 W
Rated Current	0.62/0.88 A	0.32/0.45 A
Locked Current	1.16/1.16 A	0.6/0.6 A
Speed	2800/3200 RPM	2800/3200 RPM
Maximum Air Flow	20.2/23 m3/min.	20.2/23 m3/min.
Maximum Air Flow	713/812 CFM	713/812 CFM
Maximum Pressure	22.7/20.7 mmH2O	22.7/20.7 mmH2O
Maximum Pressure	0.9/0.82 InchH2O	0.9/0.82 InchH2O
Noise	62/65 dB	62/65 dB
Weights	2.3 kg	2.3 kg



SAFETY APPROVAL

