

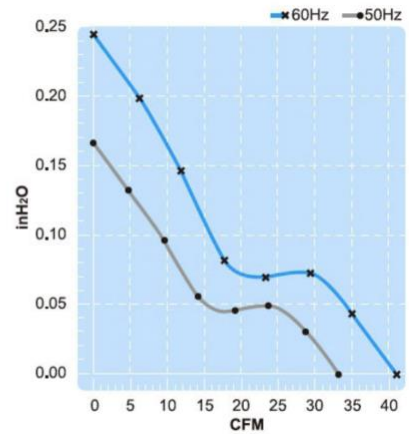
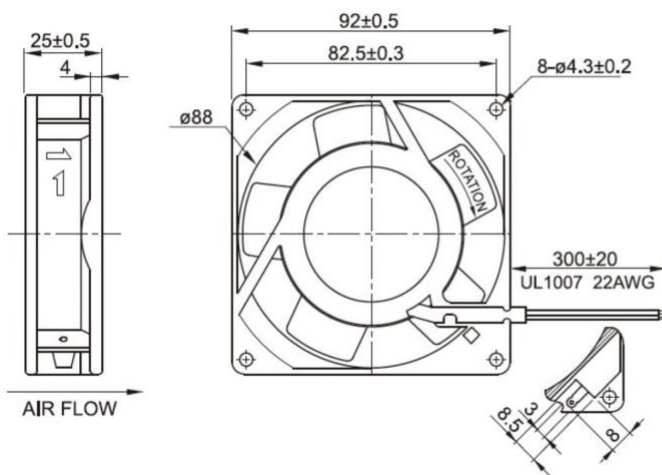


## Axial Fan

# UF92B Series

Frame/Housing:	Aluminum die-casting
Impeller:	Plastic PBT PC,nylon or metal
Bearing System:	Ball bearing or sleeve bearing
Motor:	Shaded pole or capacitor start-run
Connection:	Lead wire or terminal type
Protection:	Impedance-Protected or Thermally-Protected
Dielectric withstand voltage:	Above 10MΩ, DC500V
Life Expectancy:	Ball bearing:Over 40,000 hr.(at 40°C) Sleeve bearing:Over 15,000 hr.(at 40°C)
Safety Approval:	CUL, CE, TUV, either UL or ETL
Description of Model No.	UF 12 A (R) 11 B T H N
	1 2 3 4 5 6 7 8 9

	UF92B11-H	UF92B23-H
Rated Voltage	115 V	230 V
Frequency	50/60 Hz	50/60 Hz
Input Power	14/11 W	16/14 W
Rated Current	0.15/0.12 A	0.08/0.07 A
Locked Current	0.16/0.13 A	0.09/0.08 A
Speed	2500/3000 RPM	2500/3000 RPM
Maximum Air Flow	0.93/1.13 m3/min.	0.93/1.13 m3/min.
Maximum Air Flow	33/40 CFM	0.93/1.13 m3/min.
Maximum Pressure	3.8/5.3 mmH2O	4.2/6.1 mmH2O
Maximum Pressure	0.15/0.21 InchH2O	0.17/0.24 InchH2O
Noise	32/36 dB	32/36 dB
Weights	0.28 kg	0.28 kg



### SAFETY APPROVAL

