



Axial Fan

UF80A Series

Frame/Housing: Aluminum die-casting

Impeller: Plastic PBT PC, nylon or metal

Bearing System: Ball bearing or sleeve bearing

Motor: Shaded pole or capacitor start-run

Connection: Lead wire or terminal type

Protection: Impedance-Protected or Thermally-Protected

Dielectric withstand voltage: Above 10MΩ, DC500V

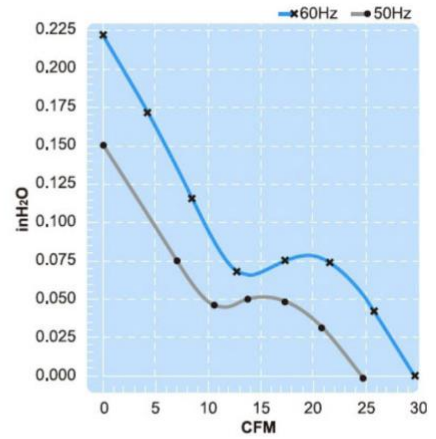
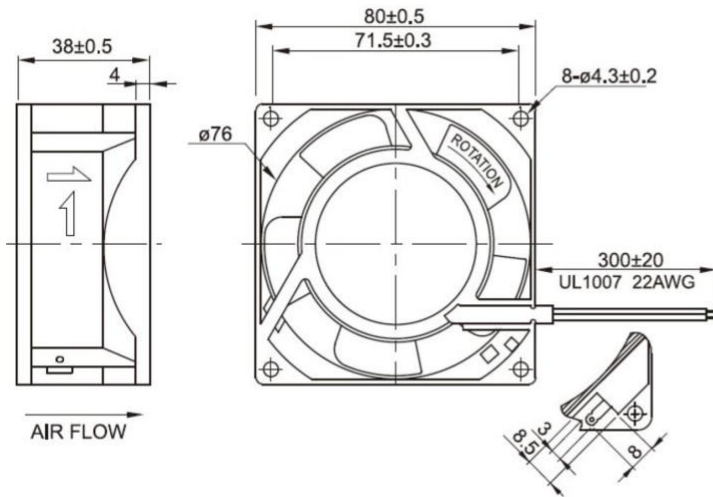
Life Expectancy: Ball bearing: Over 40,000 hr. (at 40°C)
Sleeve bearing: Over 15,000 hr. (at 40°C)

Safety Approval: CUL, CE, TUV, either UL or ETL

Description of Model No.

UF	12	A	(R)	11	B	T	H	N
1	2	3	4	5	6	7	8	9

	UF80A11-H	UF80A23-H
Rated Voltage	115 V	230 V
Frequency	50/60 Hz	50/60 Hz
Input Power	12/9 W	14/12 W
Rated Current	0.14/0.12 A	0.07/0.06 A
Locked Current	0.15/0.13 A	0.08/0.07 A
Speed	2500/3000 RPM	2500/3000 RPM
Maximum Air Flow	0.68/0.83 m3/min.	0.68/0.83 m3/min.
Maximum Air Flow	24/30 CFM	24/30 CFM
Maximum Pressure	3.6/5.3 mmH2O	3.6/5.3 mmH2O
Maximum Pressure	0.14/0.21 InchH2O	0.14/0.21 InchH2O Noise 32/36 dB Weights 0.28 kg
Noise	32/36 dB	32/36 dB
Weights	0.28 kg	0.28 kg



SAFETY APPROVAL

