



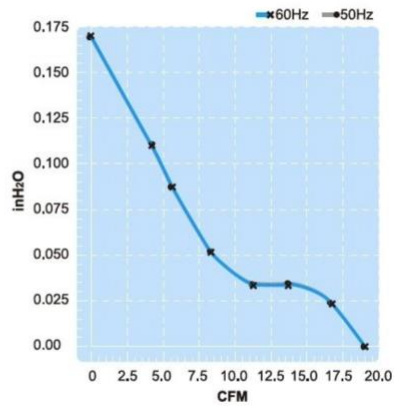
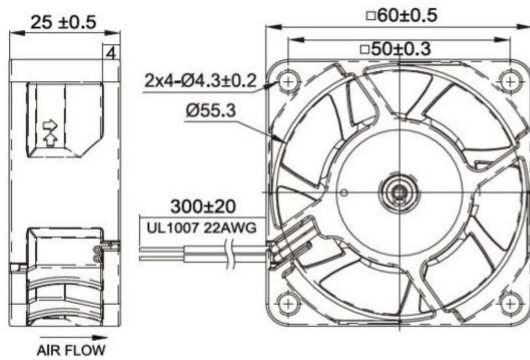
EC fan

UFT60BBPB Series

Frame/Housing:	Aluminum die-casting
Impeller:	Plastic or steel
Bearing System:	Ball bearing
Motor:	Brushless DC motor
Protection:	Electronically-Protected
Insulation Resistance:	Above 10MΩ, DC500V
Dielectric withstand voltage:	AC 1,500V (50/60Hz) one minute
Life Expectancy:	Ball bearing: Over 50,000 hr. (at 40°C)
Safety Approval:	CE .
Description of Model No.	UF 220 A P A 11 H1 C 2 A
	1 2 3 4 5 6 7 8 9 10

UFT60BBPB0A M1D4A

Rated Voltage	115~230 V
Frequency	50/60 Hz
Input Power	2.0(115V) 2.3(230V) W
Rated Current	0.039(115V) 0.025(230V) A
Locked Current	0.092(115V) 0.044(230V) A
Speed	3850(115V) 3950(230V) RPM
Maximum Air Flow	0.054(115V) 0.55(230V) m ³ /min.
Maximum Air Flow	19.1(115V) 19.4(230V) CFM
Maximum Pressure	4.3(115V) 4.6(230V) mmH ₂ O
Maximum Pressure	0.017(115V) 0.18(230V) InchH ₂ O
Noise	31 dB
Weights	0.06 kg



SAFETY APPROVAL

