

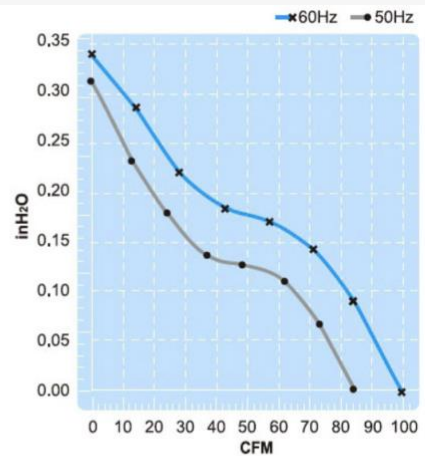
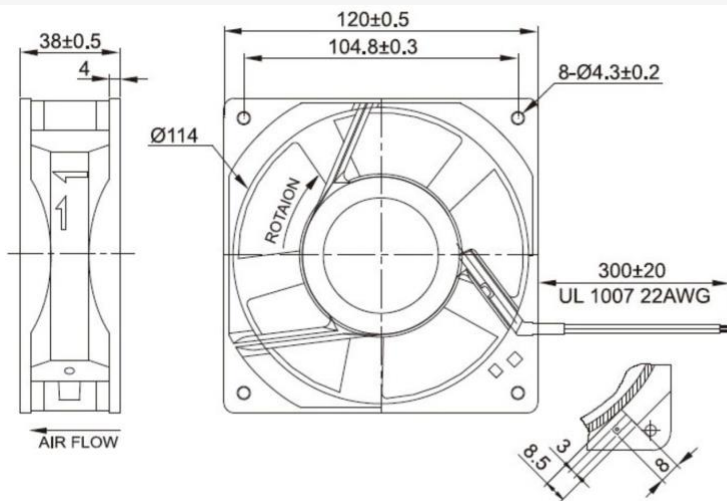


## Axial Fan

# UF12AR Series

Frame/Housing:	Aluminum die-casting
Impeller:	Plastic PBT PC,nylon or metal
Bearing System:	Ball bearing or sleeve bearing
Motor:	Shaded pole or capacitor start-run
Connection:	Lead wire or termnal type
Protection:	Impedance-Protected or Thermally-Protected
Dielectric withstand voltage:	Above 10MΩ, DC500V
Life Expectancy:	Ball bearing:Over 40,000 hr.(at 40°C) Sleeve bearing:Over 15,000 hr.(at 40°C)
Safety Approval:	CUL, CE, TUV, either UL or ETL
Description of Model No.	UF 12 A (R) 11 B T H N
	1 2 3 4 5 6 7 8 9

	UF12AR11-H	UF12AR23-H
Rated Voltage	115 V	230 V
Frequency	50/60 Hz	50/60 Hz
Input Power	13/11 W	17/15 W
Rated Current	0.2/0.19 A	0.1/0.09 A
Locked Current	0.22/0.2 A	0.11/0.1 A
Speed	2700/3100 RPM	2700/3100 RPM
Maximum Air Flow	2.4/2.8 m <sup>3</sup> /min.	2.4/2.8 m <sup>3</sup> /min.
Maximum Air Flow	85/99 CFM	85/99 CFM
Maximum Pressure	8/8.5 mmH <sub>2</sub> O	8/8.5 mmH <sub>2</sub> O
Maximum Pressure	0.32/0.33 InchH <sub>2</sub> O	0.32/0.33 InchH <sub>2</sub> O
Noise	45/47 dB	45/47 dB
Weights	0.53 kg	0.53 kg



SAFETY APPROVAL

