

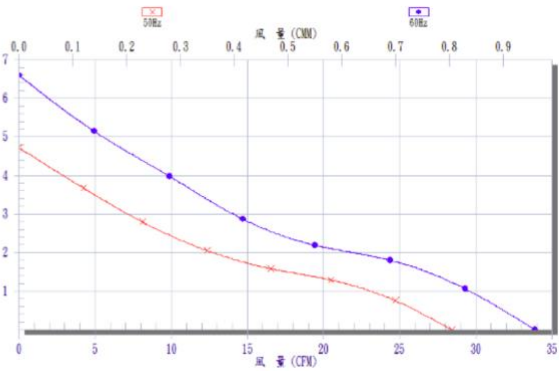
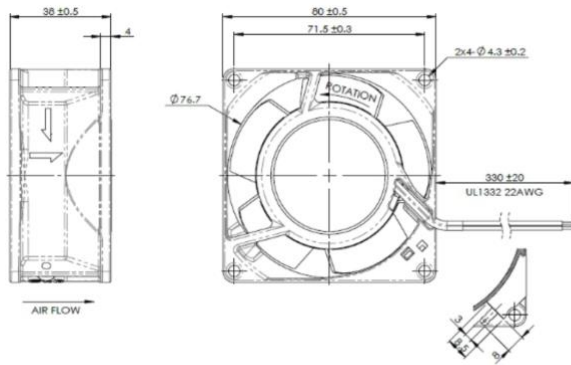


Axial Fan

UF80AM Series

Frame/Housing:	Aluminum die-casting
Impeller:	Plastic PBT PC, nylon or metal
Bearing System:	Ball bearing or sleeve bearing
Motor:	Shaded pole or capacitor start-run
Connection:	Lead wire or terminal type
Protection:	Impedance-Protected or Thermally-Protected
Dielectric withstand voltage:	Above 10MΩ, DC500V
Life Expectancy:	Ball bearing: Over 40,000 hr. (at 40°C) Sleeve bearing: Over 15,000 hr. (at 40°C)
Safety Approval:	CUL, CE, TUV, either UL or ETL
Description of Model No.	UF 12 A (R) 11 B T H N
	1 2 3 4 5 6 7 8 9

	UF80AM11-H	UF80AM23-H
Rated Voltage	115 V	230 V
Frequency	50/60 Hz	50/60 Hz
Input Power	13/11 W	13/11 W
Rated Current	0.16/0.14 A	0.16/0.14 A
Locked Current	0.20/0.17 A	0.20/0.07 A
Speed	2750/3250 RPM	2750/3250 RPM
Maximum Air Flow	0.8/1.0 m3/min.	0.8/1.0 m3/min.
Maximum Air Flow	29/34 CFM	29/34 CFM
Maximum Pressure	4.8/6.6 mmH2O	4.8/6.6 mmH2O
Maximum Pressure	0.19/0.26 InchH2O	0.19/0.26 InchH2O
Noise	35/40 dB	35/40 dB
Weights	0.39 Kg	0.39 Kg



SAFETY APPROVAL

