

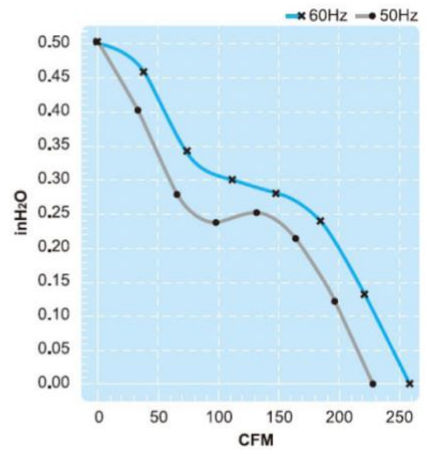
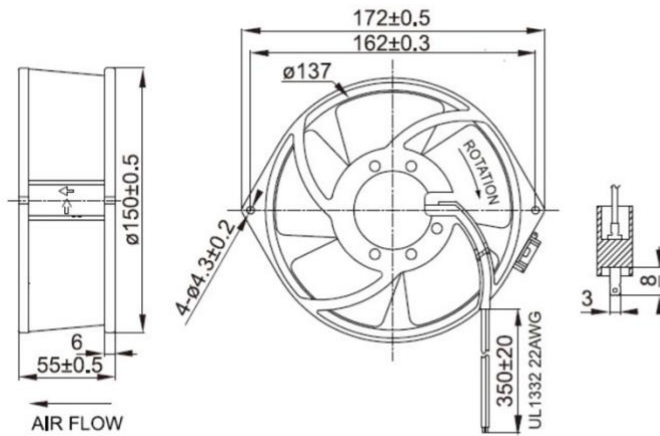


## Axial Fan

# UF15KMR Series

Frame/Housing:	Aluminum die-casting
Impeller:	Plastic PBT PC, nylon or metal
Bearing System:	Ball bearing or sleeve bearing
Motor:	Shaded pole or capacitor start-run
Connection:	Lead wire or terminal type
Protection:	Impedance-Protected or Thermally-Protected
Dielectric withstand voltage:	Above 10MΩ, DC500V
Life Expectancy:	Ball bearing: Over 40,000 hr. (at 40°C) Sleeve bearing: Over 15,000 hr. (at 40°C)
Safety Approval:	CUL, CE, TUV, either UL or ETL
Description of Model No.	UF 12 A (R) 11 B T H N
	1 2 3 4 5 6 7 8 9

	UF15KMR11-H	UF15KMR23-H
Rated Voltage	115 V	230 V
Frequency	50/60 Hz	50/50/60 Hz
Input Power	45/45 W	43/45/45 W
Rated Current	0.54/0.51 A	0.3/0.27/0.25 A
Locked Current	0.9/0.8 A	0.5/0.44/0.38 A
Speed	2750/3150 RPM	2750/2750/3150 RPM
Maximum Air Flow	6.4/7.2 m3/min.	6.4/6.4/7.2 m3/min.
Maximum Air Flow	225/255 CFM	225/225/255 CFM
Maximum Pressure	12.5/12.5 mmH2O	12.5/12.5/12.5 mmH2O
Maximum Pressure	0.5/0.5 InchH2O	0.5/0.5/0.5 InchH2O
Noise	58/61 dB	58/58/61 dB
Weights	1.1 kg	1.1 kg



### SAFETY APPROVAL

