

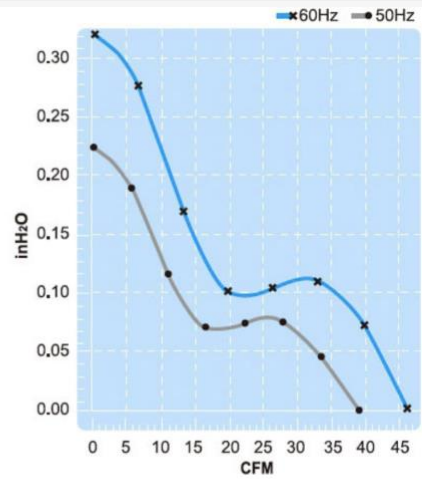
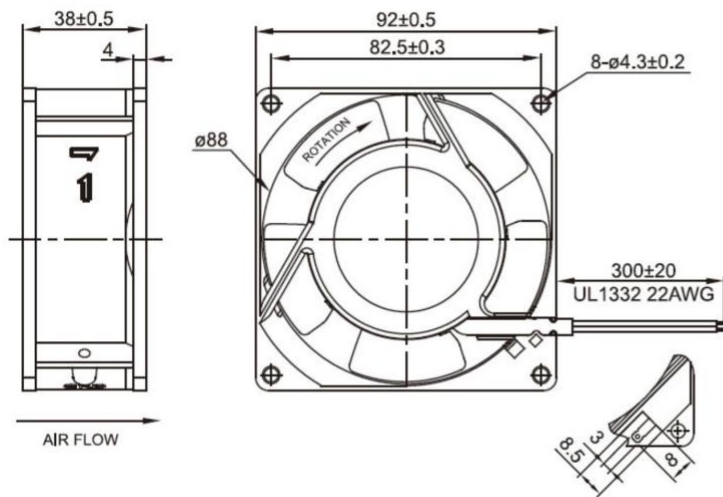


## Axial Fan

# UF92A Series

Frame/Housing:	Aluminum die-casting
Impeller:	Plastic PBT PC, nylon or metal
Bearing System:	Ball bearing or sleeve bearing
Motor:	Shaded pole or capacitor start-run
Connection:	Lead wire or terminal type
Protection:	Impedance-Protected or Thermally-Protected
Dielectric withstand voltage:	Above 10MΩ, DC500V
Life Expectancy:	Ball bearing: Over 40,000 hr. (at 40°C) Sleeve bearing: Over 15,000 hr. (at 40°C)
Safety Approval:	CUL, CE, TUV, either UL or ETL
Description of Model No.	UF 12 A (R) 11 B T H N
	1 2 3 4 5 6 7 8 9

	UF92A11-H	UF92A23-H
Rated Voltage	115 V	230 V
Frequency	50/60 Hz	50/60 Hz
Input Power	15/12 W	16/12 W
Rated Current	0.22/0.16 A	0.12/0.09 A
Locked Current	0.29/0.25 A	0.15/0.13 A
Speed	2800/3300 RPM	2800/3300 RPM
Maximum Air Flow	1.1/1.3 m3/min.	1.1/1.3 m3/min.
Maximum Air Flow	38/46 CFM	38/46 CFM
Maximum Pressure	5.6/8.1 mmH2O	5.6/8.1 mmH2O
Maximum Pressure	0.22/0.32 InchH2O	0.22/0.32 InchH2O
Noise	34/38 dB	34/38 dB
Weights	0.45 kg	0.45 kg



SAFETY APPROVAL

