

Axial Fan

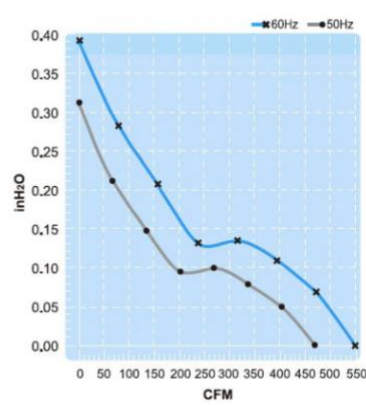
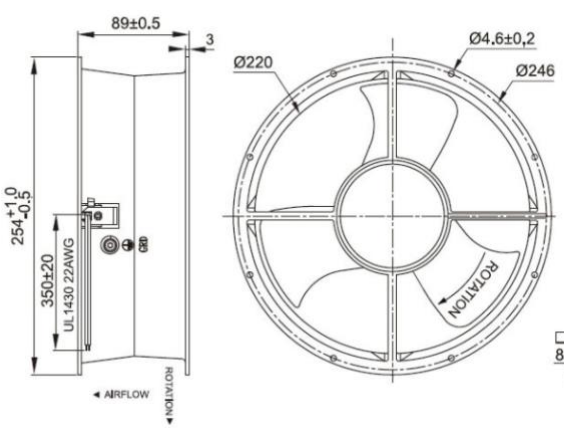
UF25GC Series



| | |
|-------------------------------|--|
| Frame/Housing: | Aluminum die-casting |
| Impeller: | Plastic PBT PC, nylon or metal |
| Bearing System: | Ball bearing or sleeve bearing |
| Motor: | Shaded pole or capacitor start-run |
| Connection: | Lead wire or terminal type |
| Protection: | Impedance-Protected or Thermally-Protected |
| Dielectric withstand voltage: | Above 10MQ, DC500V |
| Life Expectancy: | Ball bearing: Over 40,000 hr. (at 40°C) Sleeve bearing: Over 15,000 hr. (at 40°C) |
| Safety Approval: | CUL, CE, TUV, either UL or ETL |

| | | | | | | | | | |
|--------------------------|----|----|---|-----|----|---|---|---|---|
| Description of Model No. | UF | 12 | A | (R) | 11 | B | T | H | N |
| | 1 | 2 | 3 | 4 | 5 | 6 | 7 | 8 | 9 |

| | UF25GC11-H | UF25GC23-H |
|------------------|-------------------------------|-------------------------------|
| Rated Voltage | 115 V | 230 V |
| Frequency | 50/60 Hz | 50/60 Hz |
| Input Power | 31/33 W | 31/33 W |
| Rated Current | 0.3/0.29 A | 0.14/0.14 A |
| Locked Current | 0.53/0.51 A | 0.26/0.25 A |
| Speed | 1400/1650 RPM | 1400/1650 RPM |
| Maximum Air Flow | 13/15.5 m ³ /min. | 13/15.5 m ³ /min. |
| Maximum Air Flow | 460/550 CFM | 460/550 CFM |
| Maximum Pressure | 8/10 mmH ₂ O | 8/10 mmH ₂ O |
| Maximum Pressure | 0.32/0.4 InchH ₂ O | 0.32/0.4 InchH ₂ O |
| Noise | 55/52 dB | 55/52 dB |
| Weights | 1.9 kg | 1.9 kg |



SAFETY APPROVAL

