

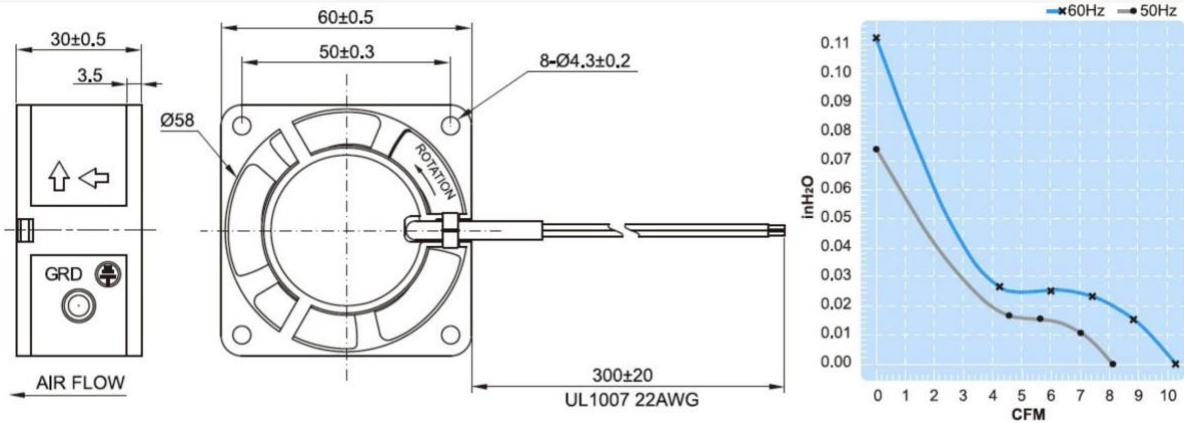


Axial Fan

UF60D Series

Frame/Housing:	Aluminum die-casting
Impeller:	Plastic PBT PC, nylon or metal
Bearing System:	Ball bearing or sleeve bearing
Motor:	Shaded pole or capacitor start-run
Connection:	Lead wire or terminal type
Protection:	Impedance-Protected or Thermally-Protected
Dielectric withstand voltage:	Above 10MΩ, DC500V
Life Expectancy:	Ball bearing: Over 40,000 hr. (at 40°C) Sleeve bearing: Over 15,000 hr. (at 40°C)
Safety Approval:	CUL, CE, TUV, either UL or ETL
Description of Model No.	UF 12 A (R) 11 B T H N
	1 2 3 4 5 6 7 8 9

	UF60D11-H	UF60D23-H
Rated Voltage	115 V	230 V
Frequency	50/60 Hz	50/60 Hz
Input Power	5/4 W	5/4 W
Rated Current	0.042/0.035 A	0.04/0.032 A
Locked Current	0.042/0.04 A	0.022/0.02 A
Speed	2400/3000 RPM	2400/3000 RPM
Maximum Air Flow	0.23/0.29 m3/min.	0.23/0.29 m3/min.
Maximum Air Flow	8.1/10.24 CFM	8.1/10.24 CFM
Maximum Pressure	1.8/2.8 mmH2O	1.8/2.8 mmH2O
Maximum Pressure	0.07/0.11 InchH2O	0.07/0.11 InchH2O
Noise	27/28 dB	27/28 dB
Weights	0.14 kg	0.14 kg



SAFETY APPROVAL

